

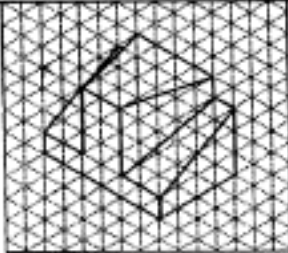
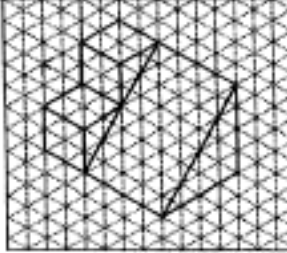
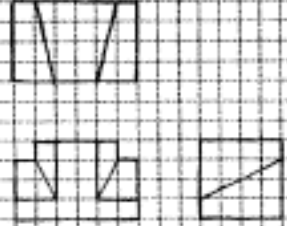
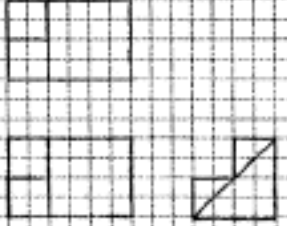
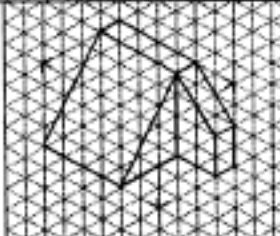
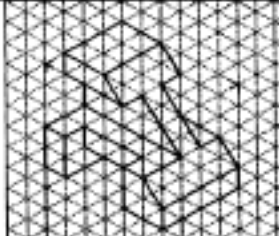
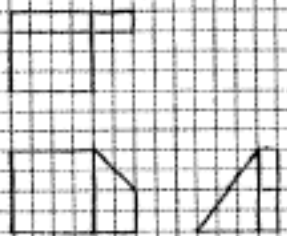
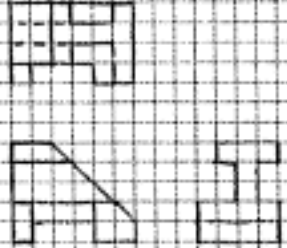
STUDY SET 05

MULTIVIEWS AND VISUALIZATION

PROBLEMS FOR LABORATORY WORK

5.1 Workbook Problem 5.5 Multiview Sketching 2

Sketch the front, top, and right side views using gridded space.

A. 	B. 			
				
C. 	D. 			
				
MULTIVIEW SKETCHING 2	REFERENCE UNIT 7.6	NAME _____ COURSE _____	DATE _____	DRAWING 7.7

5.2 Problem 5.5 (Figure 5.122)

Sketch or draw with CAD multiviews of the objects shown in the pictorials.

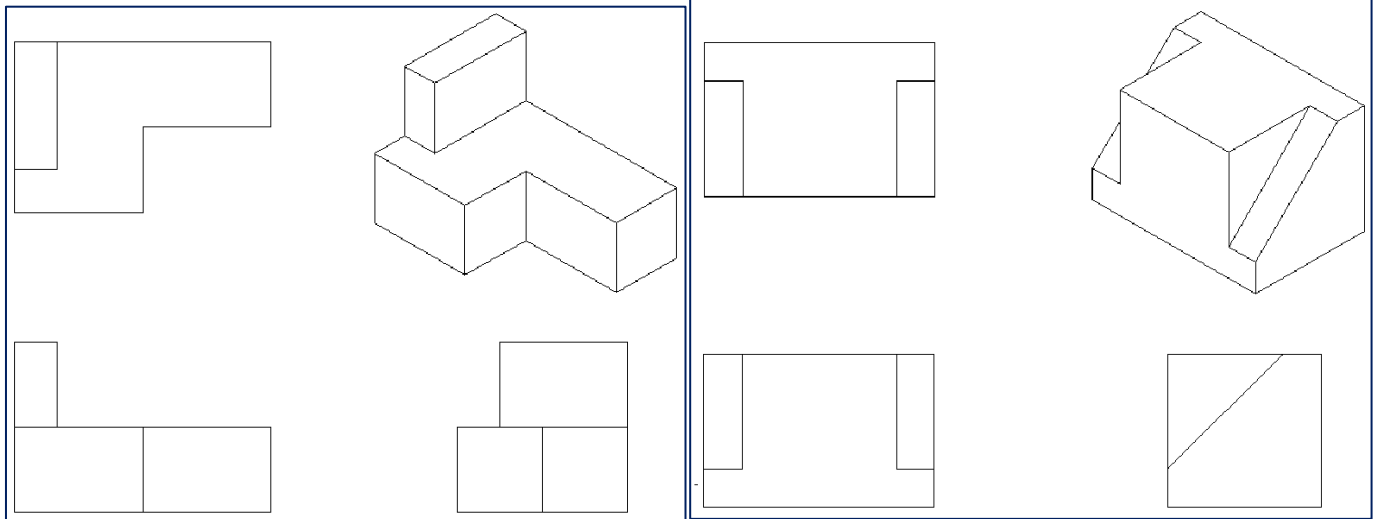


Figure 5.122 (6)

Figure 5.122 (18)

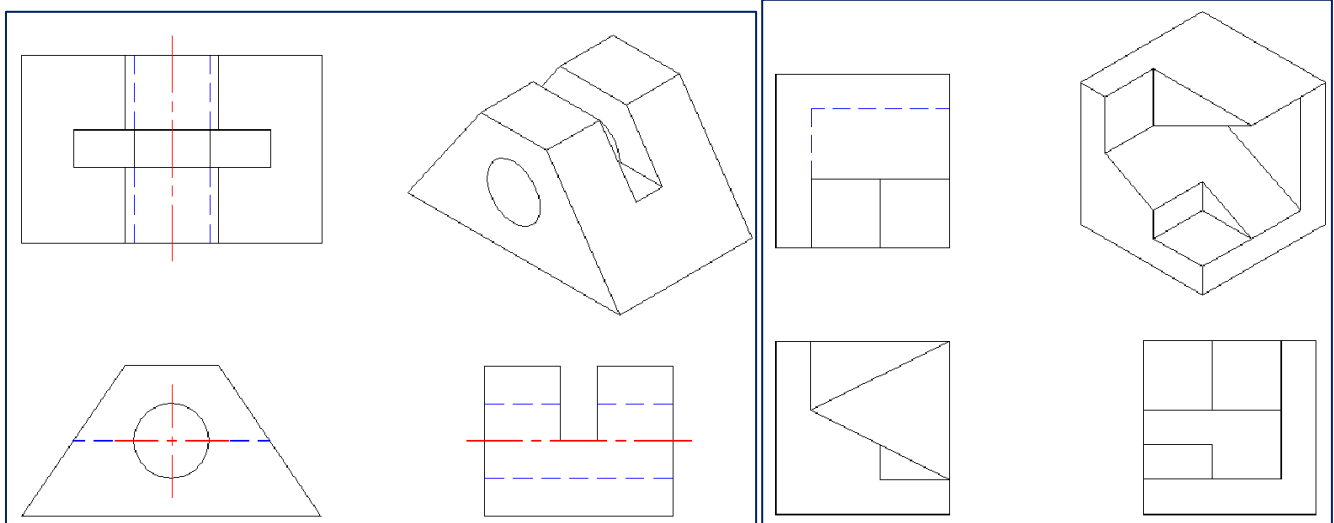
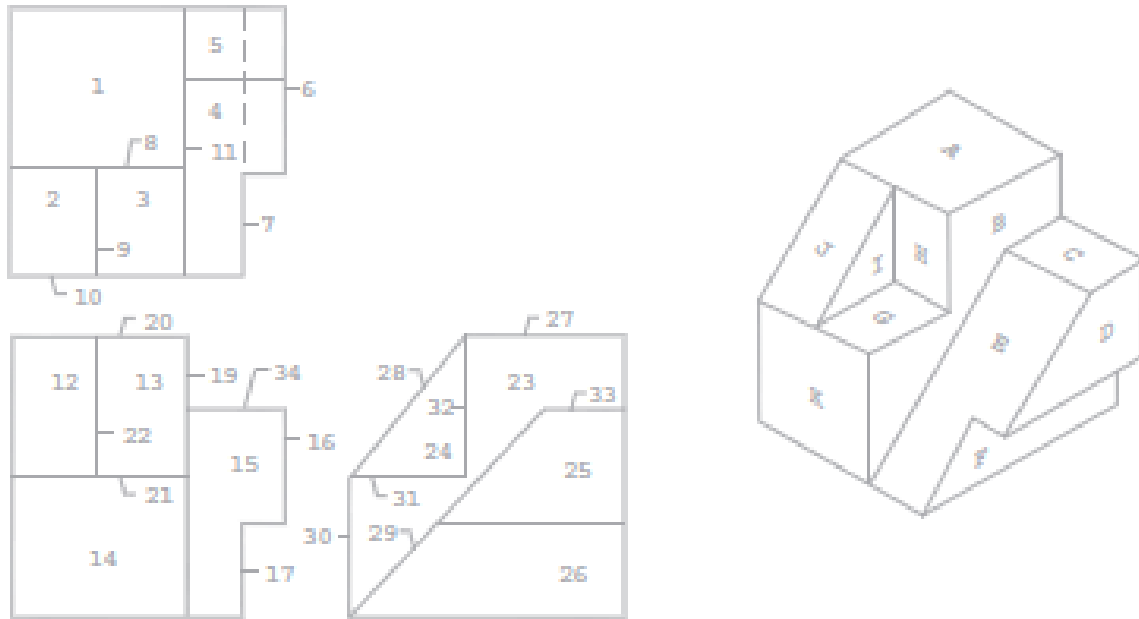


Figure 5.122 (90)

Figure 5.122 (95)

5.3 Problem 5.21 (Figure 161.A)

Match the given surface letter from the pictorial drawing with the corresponding surface number from the multiview drawing for each view.

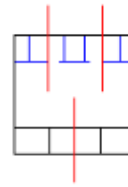
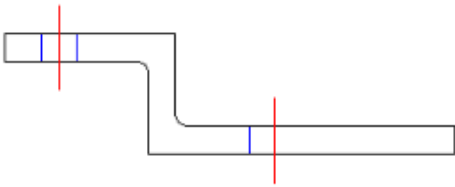
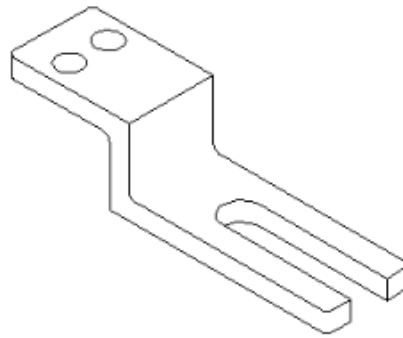
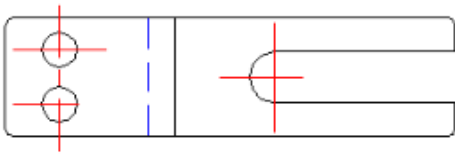


Surface	Top	Front	Side
A	1	20	27
B	11	19	23
C	5	34	33
D	6	16	25
E	4	15	29
F	7	17	26
G	3	21	31
H	8	13	32
I	9	22	24
J	2	12	28
K	10	14	30

SURFACE IDENTIFICATION	REFERENCE UNIT 5.5	NAME _____	DRAW NO 5.1
		COURSE _____ DATE _____	

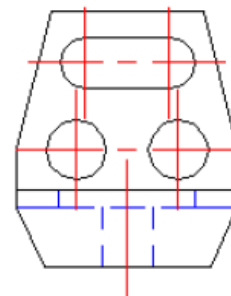
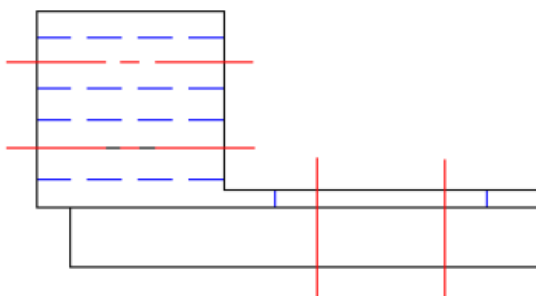
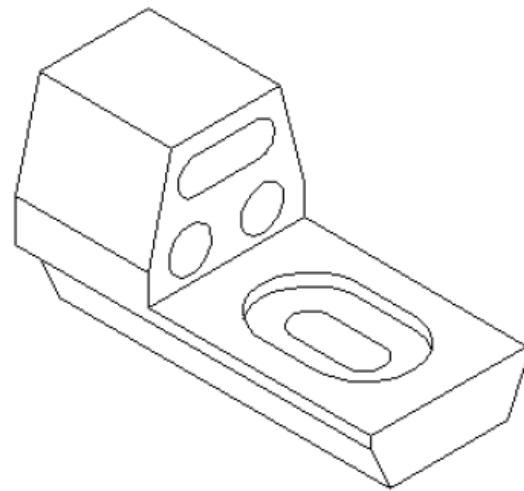
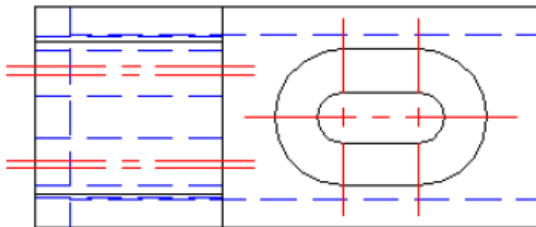
5.4 Problem 5.7 (Figure 5.130) Motor Plate

Given the pictorial, sketch or draw using CAD the multiviews and 3-D CAD model.



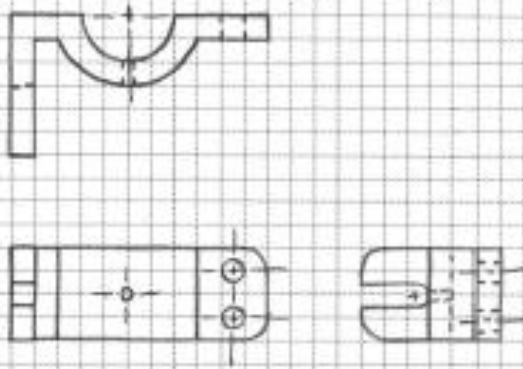
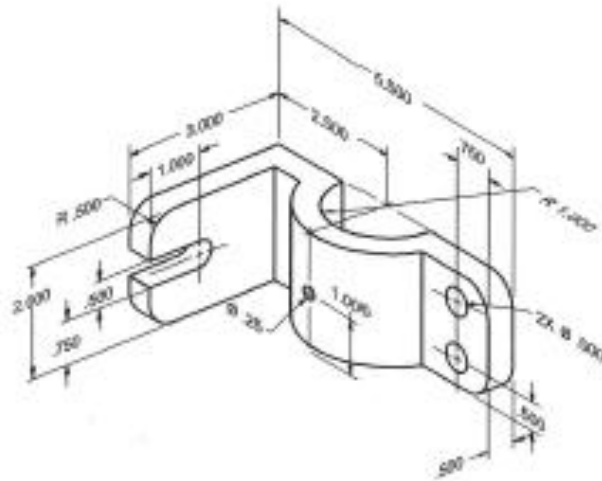
5.5 Problem 5.7 (Figure 5.131) Seat

Given the pictorials, sketch or draw using CAD the multiviews and 3-D CAD model.



5.6 Problem 5.7 (Figure 5.154) Bearing Plate

Given the pictorials, sketch or draw using CAD the multiviews and 3-D CAD model.



BEARING PLATE

REFERENCE UNIT
8.4

NAME _____
COURSE _____

DATE _____

DRAWING
8.34

5.7 Problem 5.3 (Figure 5.120)

Given the two views of a multi-view drawing of an object, sketch or draw the given views or use CAD, and then add the missing view. As an additional exercise, create a pictorial sketch of the object.

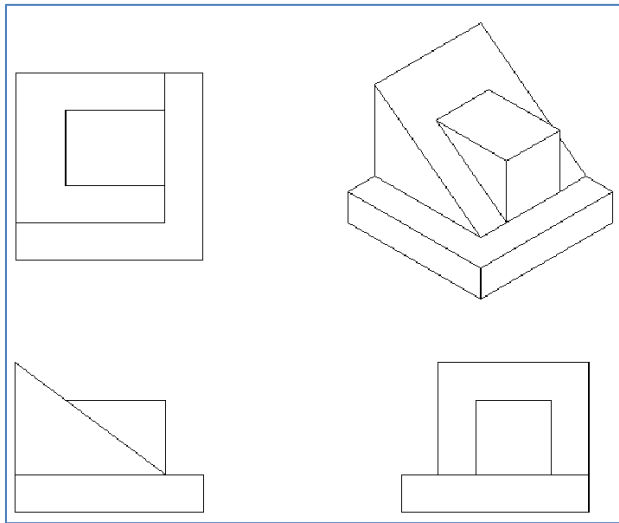


Figure 5.120 (2)

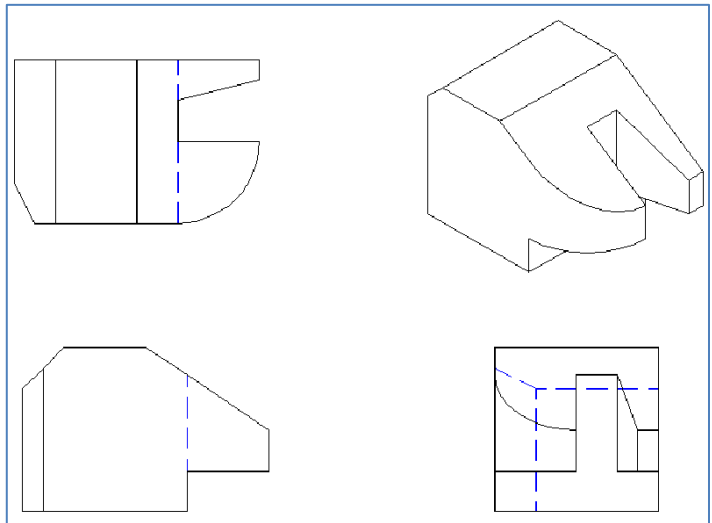


Figure 5.120 (14)

5.8 Problem 5.4 (Figure 5.121)

Given the three incomplete views of a multi-view drawing of an object, sketch or draw the given views or use CAD, and then add the missing line or lines. As an additional exercise, create a pictorial sketch of the object.

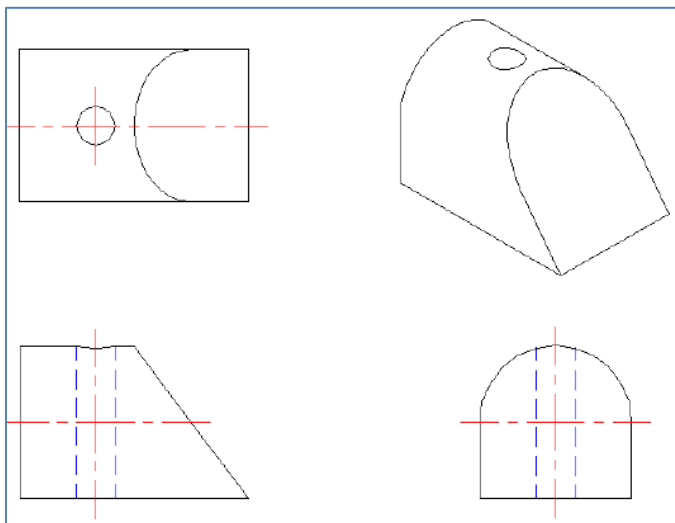


Figure 5.121 (14)

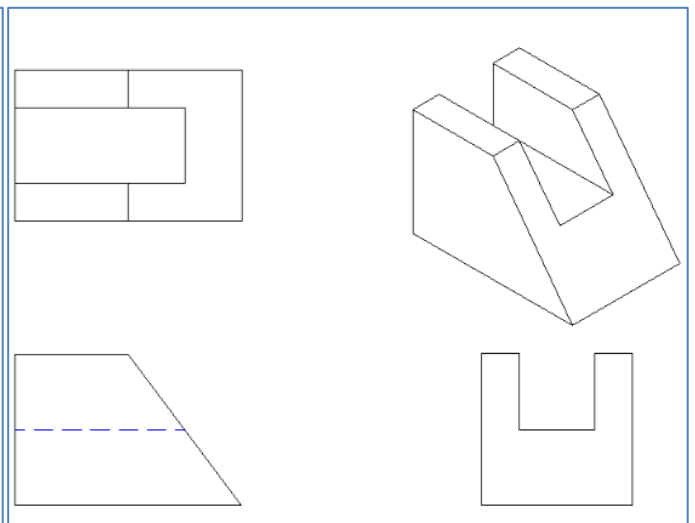


Figure 5.121 (24)

SELECTED PROBLEMS

5.1 Problem 5.5 (Figure 5.122)

Sketch or draw with CAD multiviews of the objects shown in the pictorials.

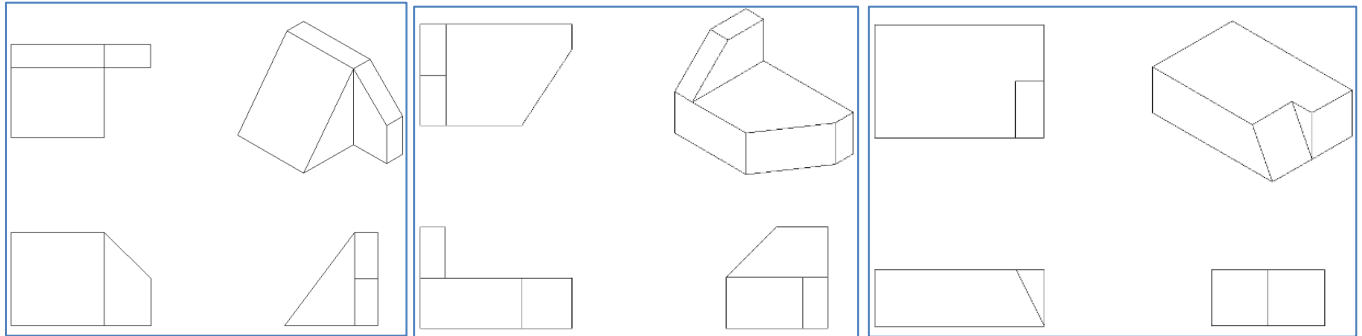


Figure 5.122 (25)

Figure 5.122 (26)

Figure 5.122 (27)

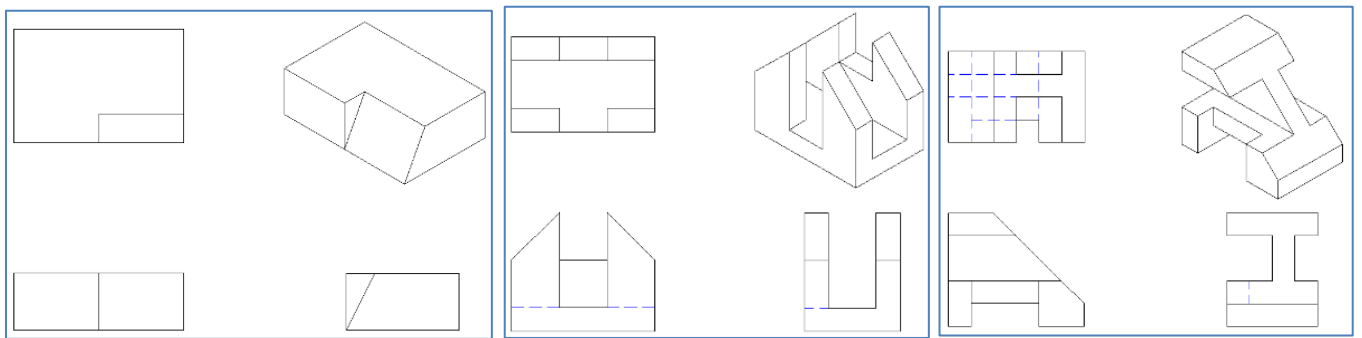


Figure 5.122 (28)

Figure 5.122 (29)

Figure 5.122 (30)

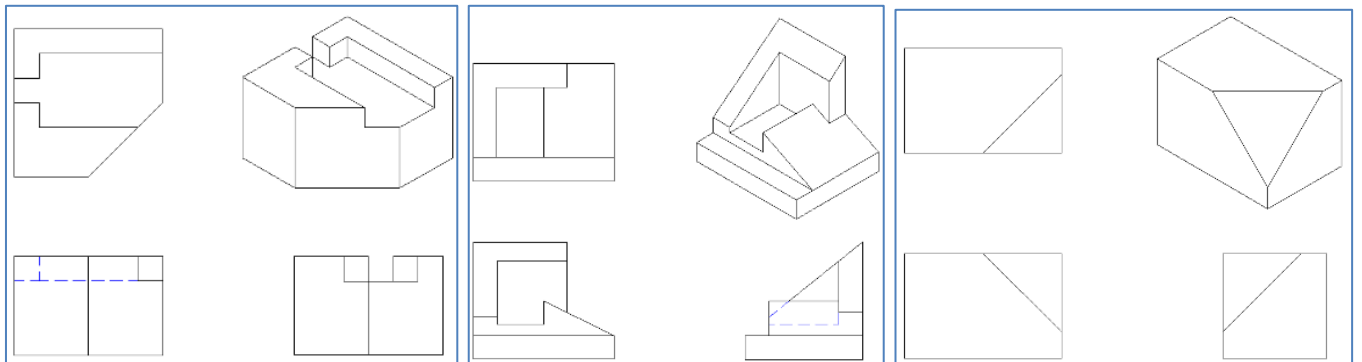


Figure 5.122 (31)

Figure 5.122 (32)

Figure 5.122 (33)

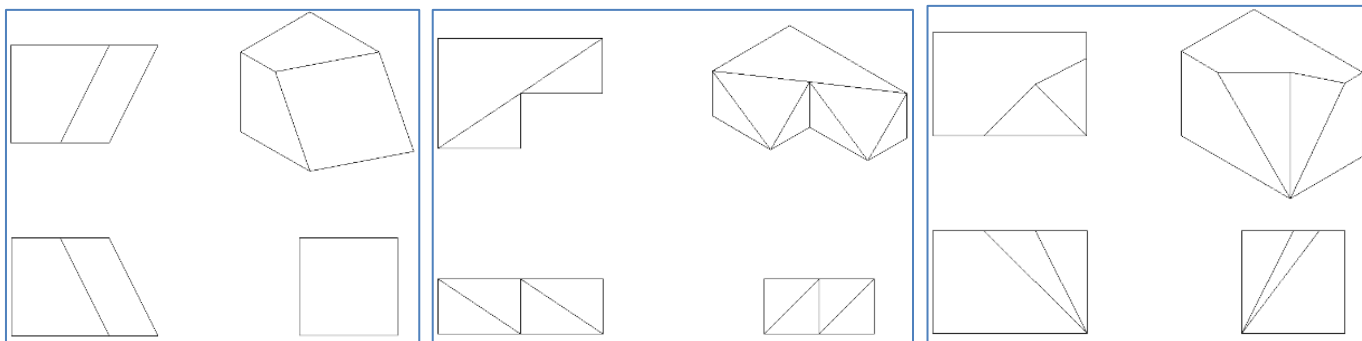


Figure 5.122 (34)

Figure 5.122 (35)

Figure 5.122 (36)

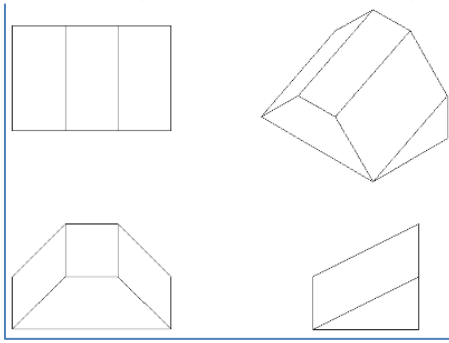


Figure 5.122 (37)

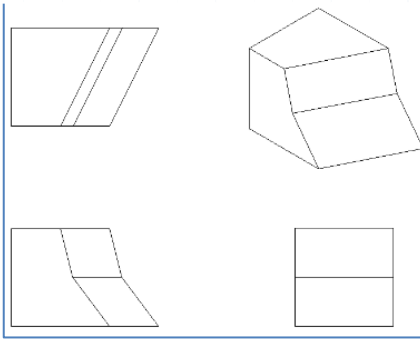


Figure 5.122 (38)

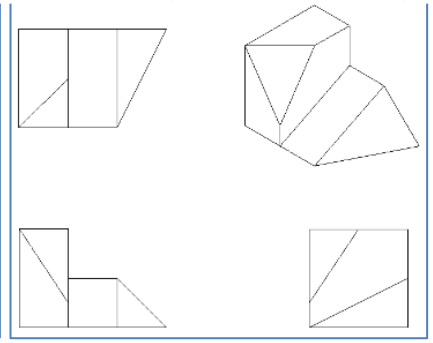


Figure 5.122 (39)

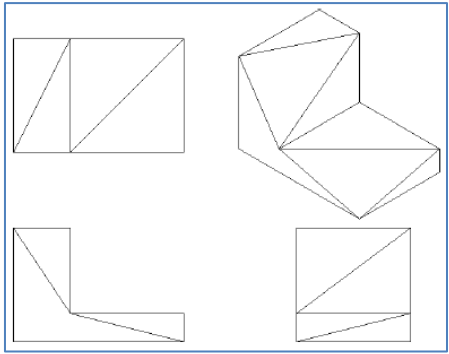


Figure 5.122 (40)

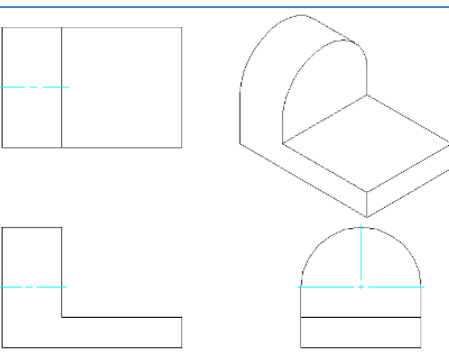


Figure 5.122 (41)

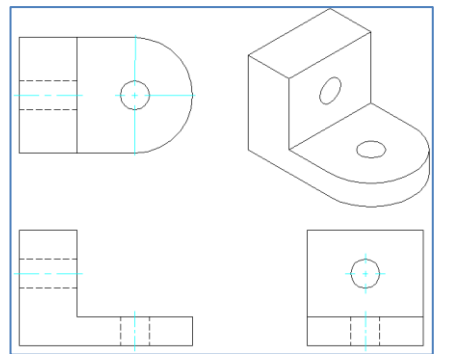


Figure 5.122 (42)

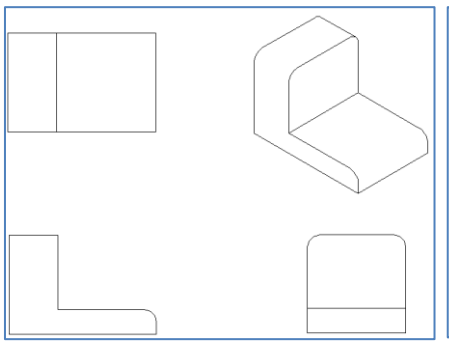


Figure 5.122 (43)

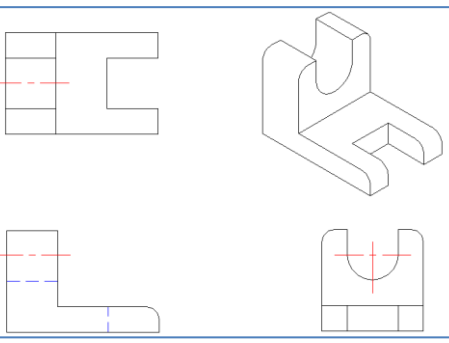


Figure 5.122 (44)

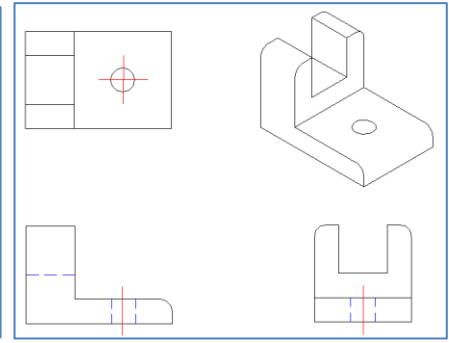


Figure 5.122 (45)

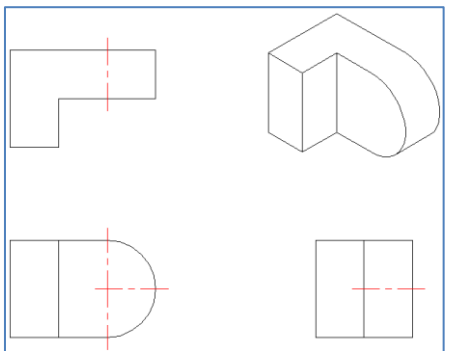


Figure 5.122 (46)

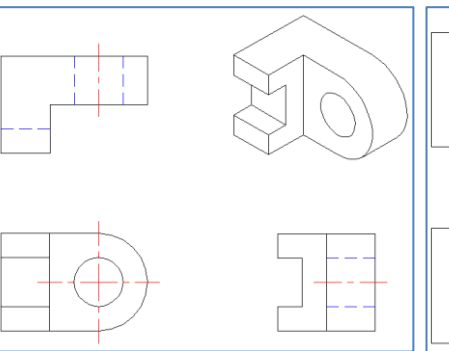


Figure 5.122 (47)

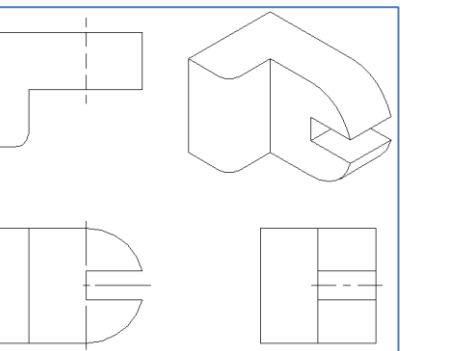


Figure 5.122 (48)

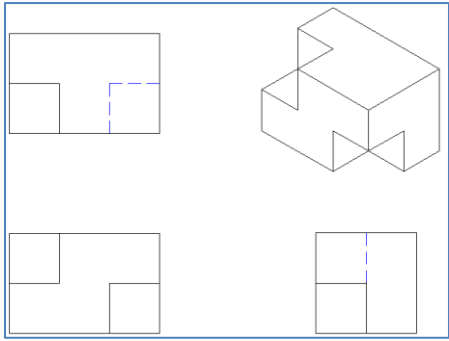


Figure 5.122 (49)

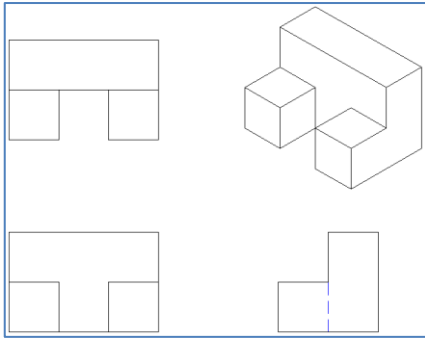


Figure 5.122 (50)

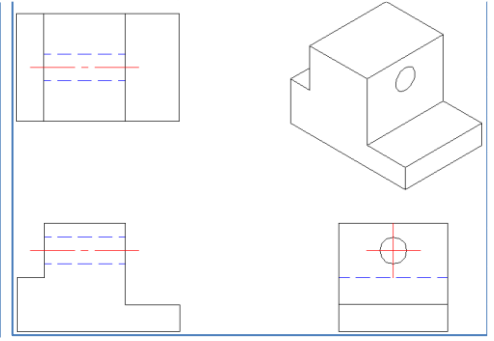


Figure 5.122 (51)

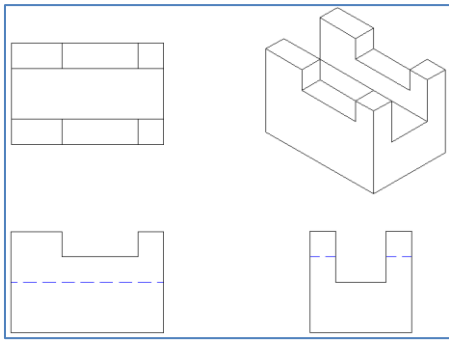


Figure 5.122 (53)

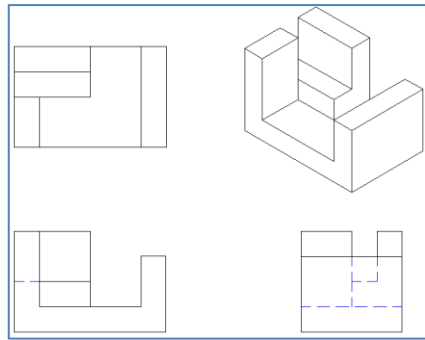


Figure 5.122 (54)

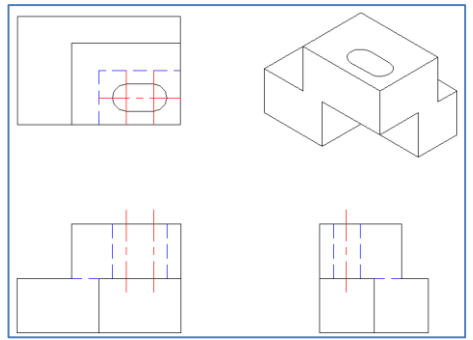


Figure 5.122 (55)

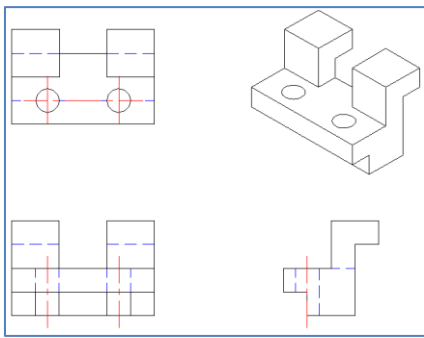


Figure 5.122 (56)

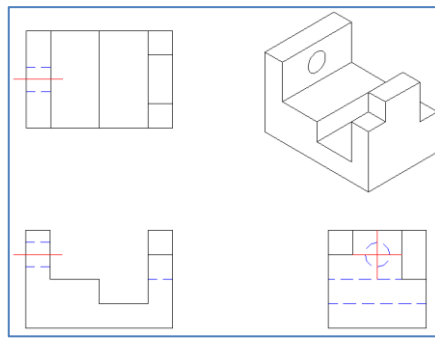


Figure 5.122 (57)

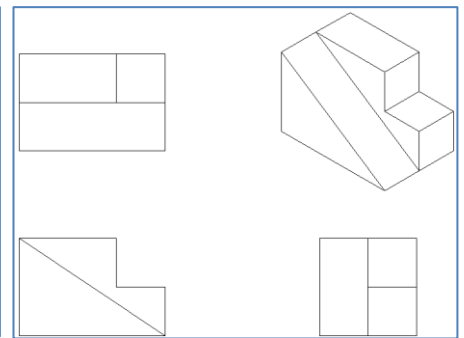


Figure 5.122 (58)

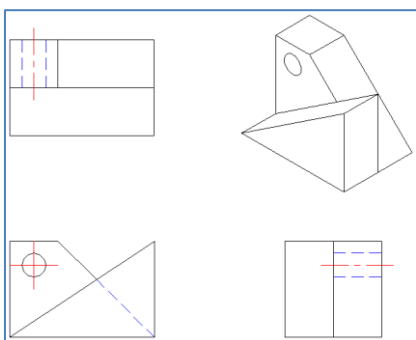


Figure 5.122 (59)

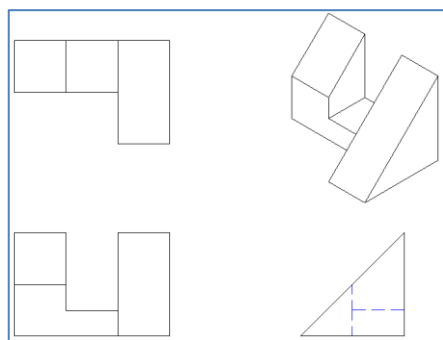


Figure 5.122 (60)

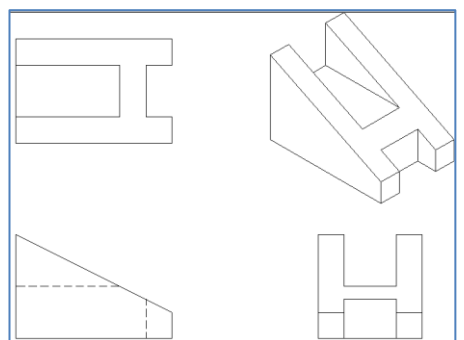


Figure 5.122 (61)

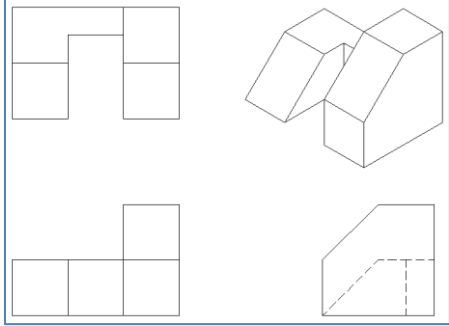


Figure 5.122 (62)

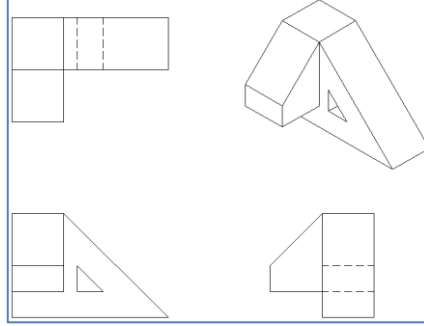


Figure 5.122 (63)

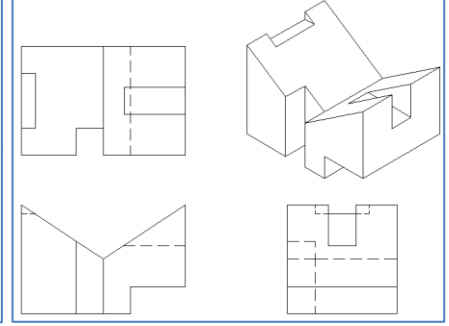


Figure 5.122 (64)

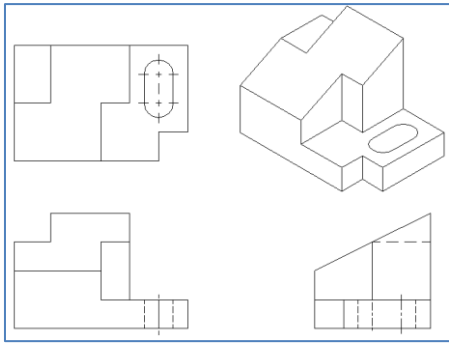


Figure 5.122 (65)

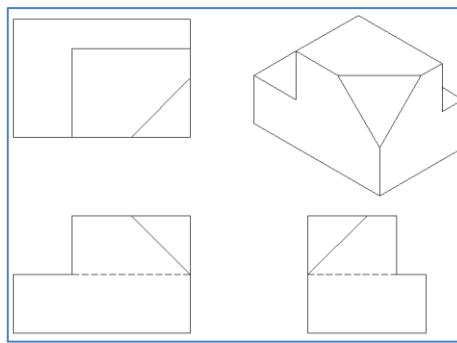


Figure 5.122 (66)

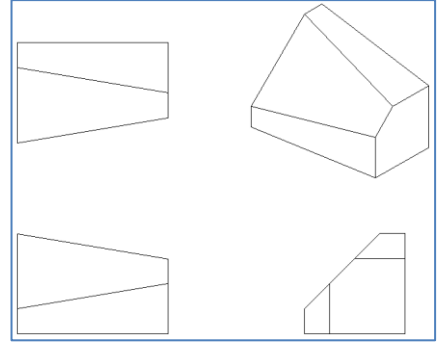


Figure 5.122 (67)

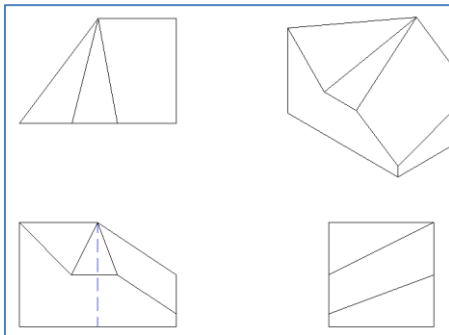


Figure 5.122 (68)

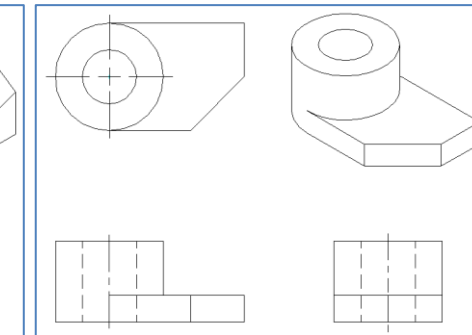


Figure 5.122 (69)

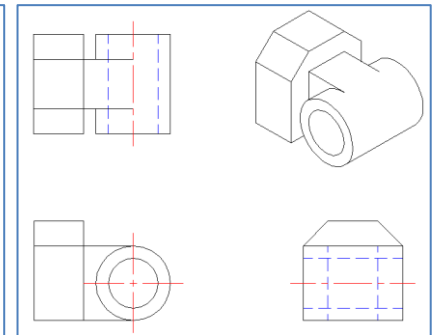


Figure 5.122 (70)

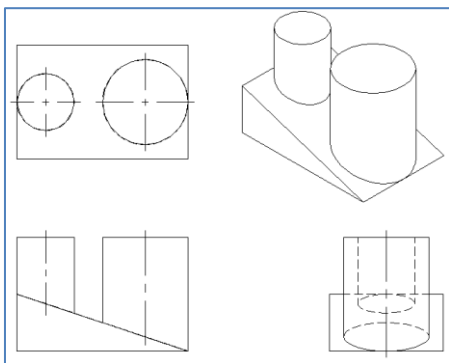


Figure 5.122 (71)

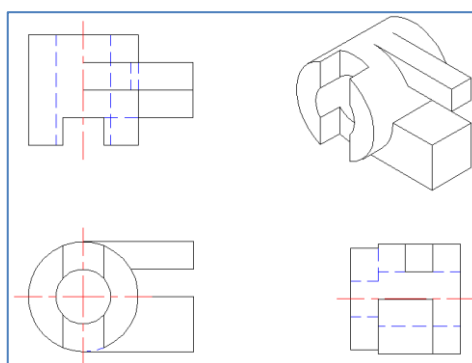


Figure 5.122 (72)

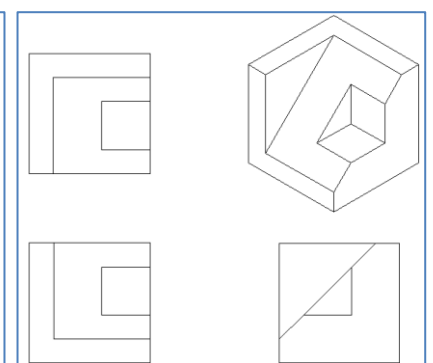


Figure 5.122 (73)

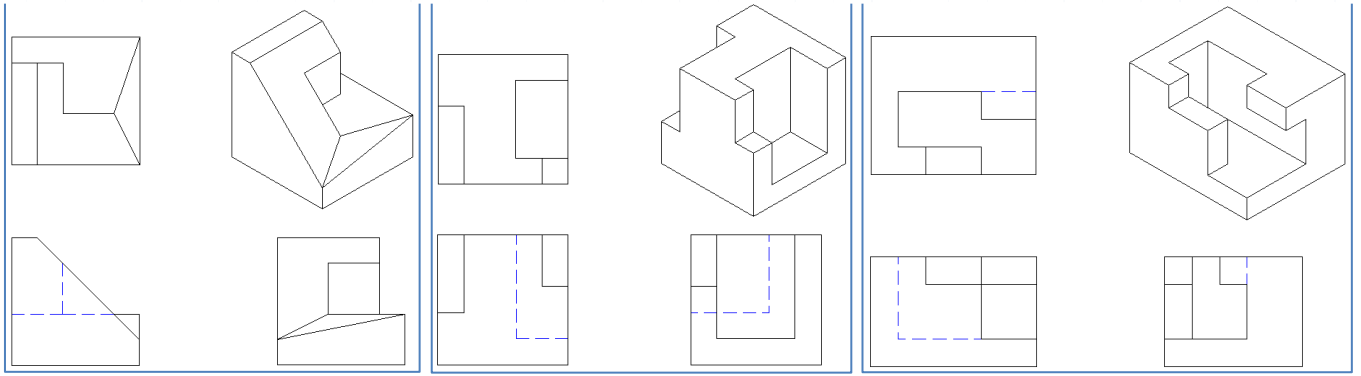


Figure 5.122 (74)

Figure 5.122 (75)

Figure 5.122 (76)

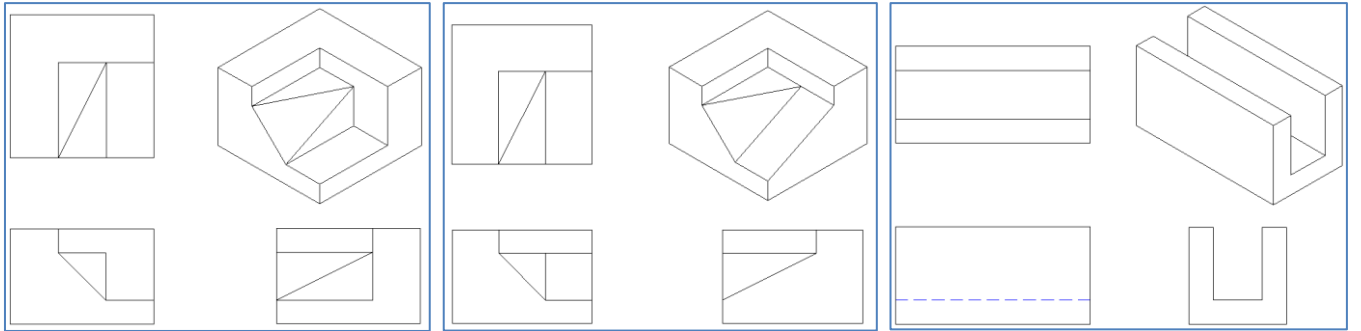


Figure 5.122 (77)

Figure 5.122 (78)

Figure 5.122 (79)

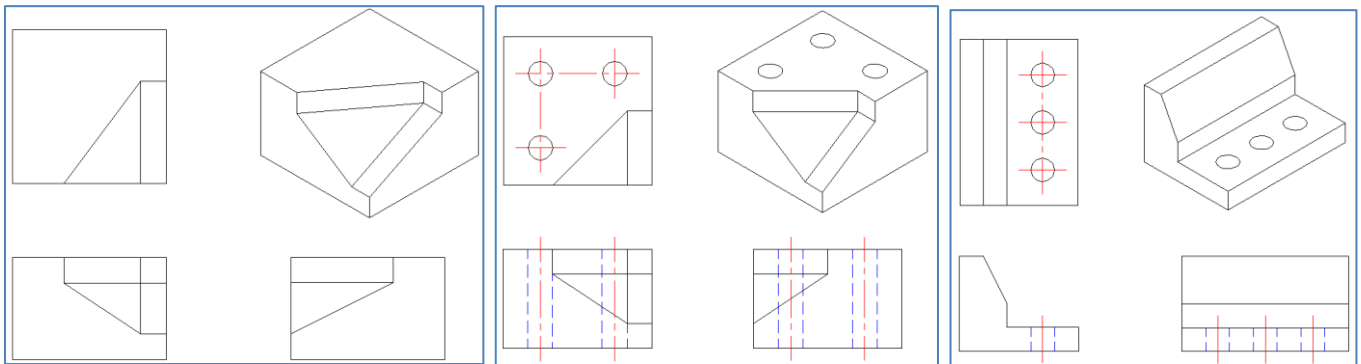


Figure 5.122 (80)

Figure 5.122 (81)

Figure 5.122 (82)

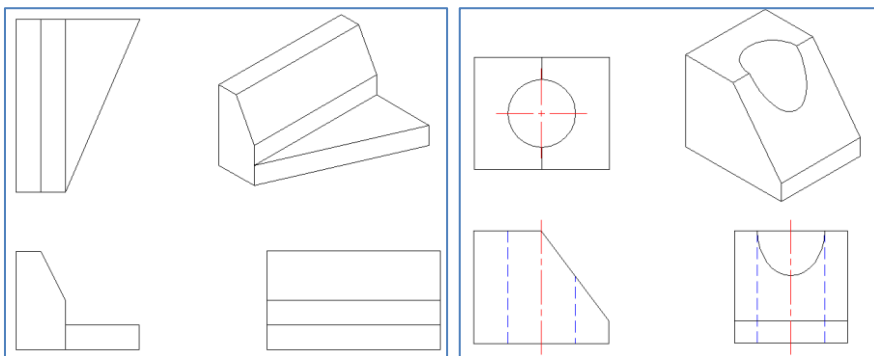


Figure 5.122 (83)

Figure 5.122 (84)

5.2 Problem 5.21 (Figure 161.B)

Match the given surface letter from the pictorial drawing with the corresponding surface number from the multiview drawing for each view.

Surface	Top	Front	Side
A	12	5	35
B	14	36	37
C	21	7	25
D	16	9	39
E	17	10	26
F	23	8	27
G	22	2	31
H	15	3	30
I	19	11	29
J	13	38	33
K	18	4	32
L	20	6	34
M	24	1	28

SURFACE IDENTIFICATION 2	REFERENCE UNIT 5.6.2	NAME _____ COURSE _____	DATE _____	DRAWING 5.3
---------------------------------	-------------------------	----------------------------	------------	----------------

5.3 Problem 5.21 (Figure 162.A)

Match the given surface letter from the pictorial drawing with the corresponding surface number from the multiview drawing for each view.

Surface	Top	Front	Side
A	13	1	28
B	16	4	26
C	17	5	34
D	18	6	27
E	19	7	33
F	23	12	25
G	22	11	35
H	24	9	36
I	21	10	29
J	20	8	32
K	15	2	30
L	14	3	31

5.4 Problem 5.21 (Figure 162.B)

Match the given surface letter from the pictorial drawing with the corresponding surface number from the multiview drawing for each view.

Surface	Top	Front	Side
A	11	13	32
B	1	12	25
C	2	16	30
D	7	21	31
E	6	15	33
F	3	22	24
G	9	17	23
H	5	20	26
I	8	14	28
J	4	18	29
K	10	19	27

SURFACE IDENTIFICATION 3	REFERENCE UNIT 5.5.2	NAME _____ COURSE _____	DATE _____	DRAWING 5.4
---------------------------------	-------------------------	----------------------------	------------	----------------

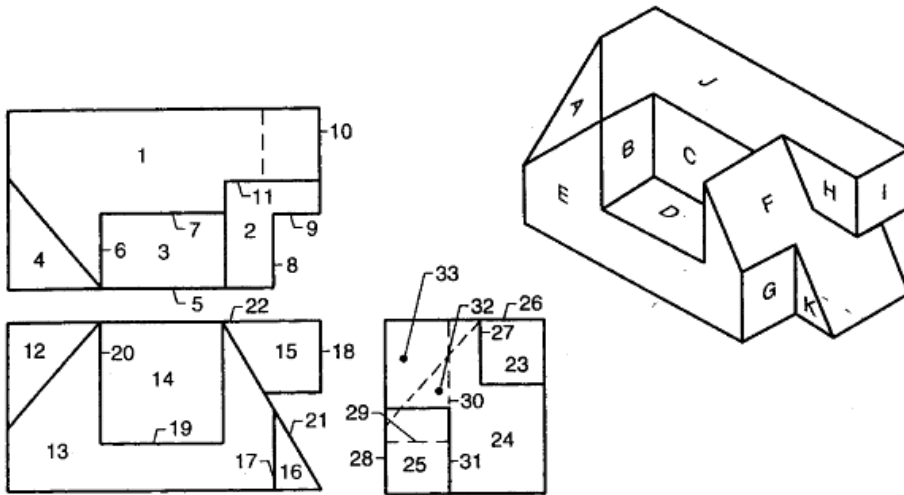
5.5 Problem 5.21 (Figure 163.A)

Match the given surface letter from the pictorial drawing with the corresponding surface number from the multiview drawing for each view.

Surface	Top	Front	Side
A	10	12	31
B	8	22	23
C	9	13	29
D	7	14	30
E	6	21	28
F	4	19	27
G	11	20	26
H	2	17	33
I	3	18	24
J	1	16	25
K	5	15	32

5.6 Problem 5.21 (Figure 163.B)

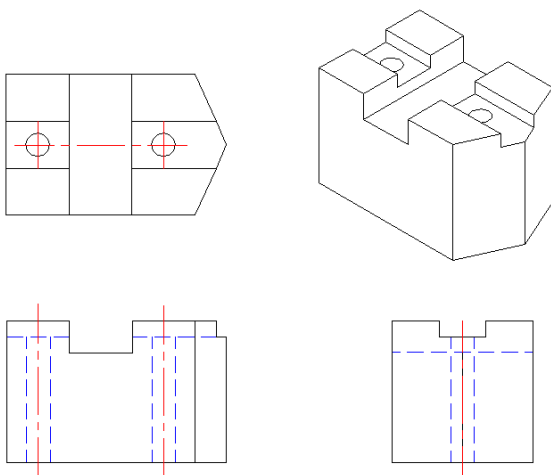
Match the given surface letter from the pictorial drawing with the corresponding surface number from the multiview drawing for each view.



Surface	Top	Front	Side
A	4	12	33
B	6	20	32
C	7	14	30
D	3	19	29
E	5	13	28
F	2	21	24
G	8	17	25
H	11	15	27
I	10	18	23
J	1	22	26
K	9	16	31

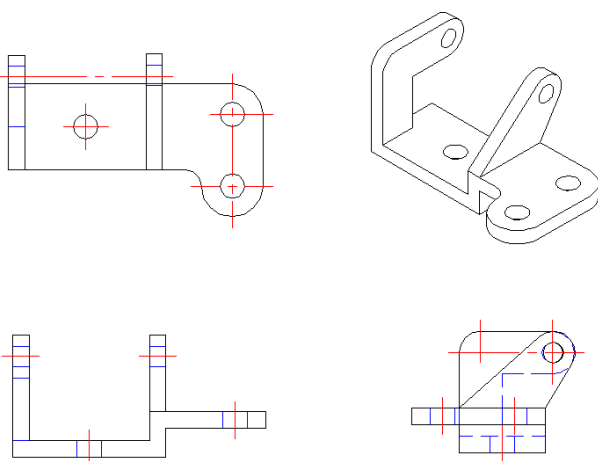
5.7 Problem 5.7 (Figure 5.124) Tool Block

Given the pictorials, sketch or draw using CAD the multivIEWS and 3-D CAD model.



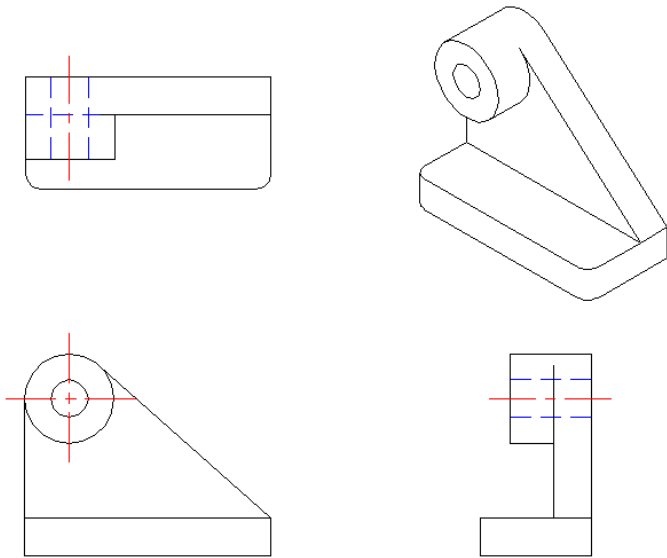
5.8 Problem 5.7 (Figure 5.132) Cutoff

Given the pictorials, sketch or draw using CAD the multivIEWS and 3-D CAD model.



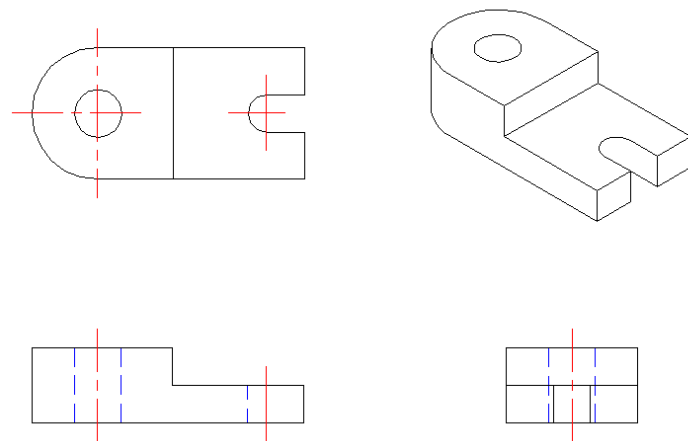
5.9 Problem 5.7 (Figure 5.135) Shaft Support

Given the pictorials, sketch or draw using CAD the multiviews and 3-D CAD model.



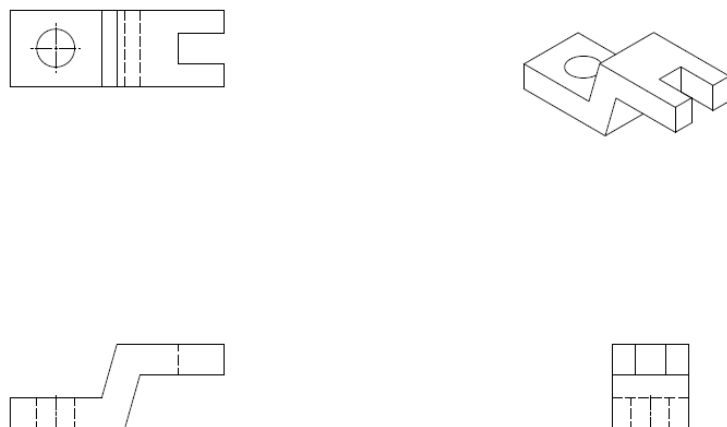
5.10 Problem 5.7 (Figure 5.136) Stop Base

Given the pictorials, sketch or draw using CAD the multiviews and 3-D CAD model.



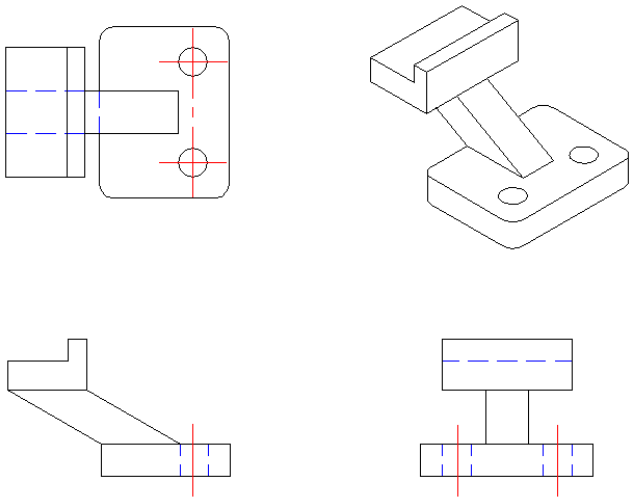
5.11 Problem 5.7 (Figure 5.137) Tool Holder

Given the pictorials, sketch or draw using CAD the multiviews and 3-D CAD model.



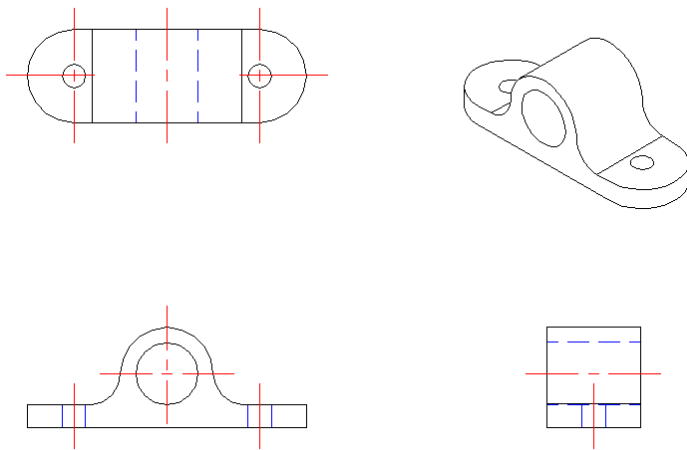
5.12 Problem 5.7 (Figure 5.141) Dial Bracket

Given the pictorials, sketch or draw using CAD the multiviews and 3-D CAD model.



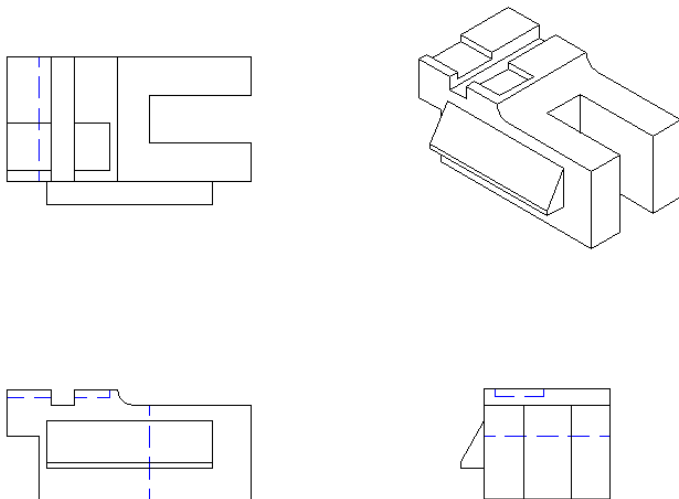
5.13 Problem 5.7 (Figure 5.142) Bearing Block

Given the pictorials, sketch or draw using CAD the multiviews and 3-D CAD model.



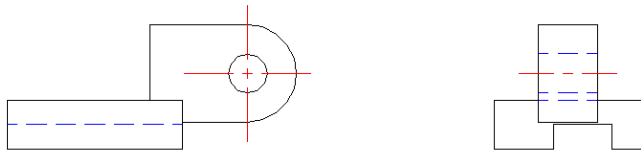
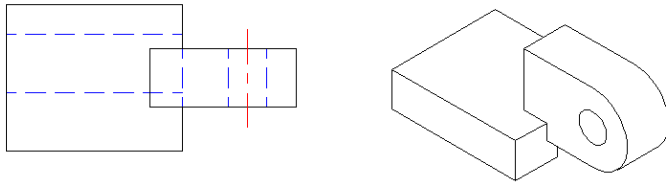
5.14 Problem 5.7 (Figure 5.144) Pump Base

Given the pictorials, sketch or draw using CAD the multiviews and 3-D CAD model.



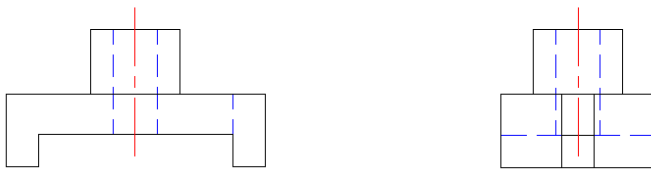
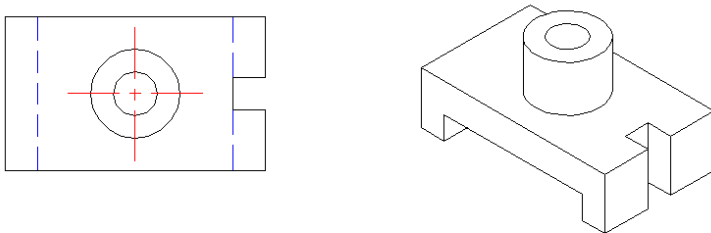
5.15 Problem 5.7 (Figure 5.149) Slide Base

Given the pictorials, sketch or draw using CAD the multiviews and 3-D CAD model.



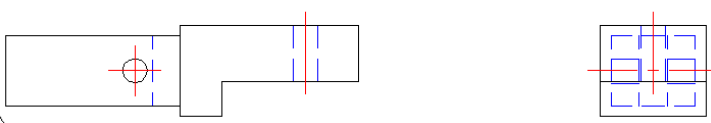
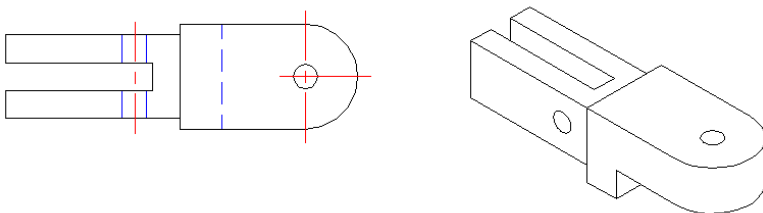
5.16 Problem 5.7 (Figure 5.150) Retainer Clip

Given the pictorials, sketch or draw using CAD the multiview and 3-D CAD model.



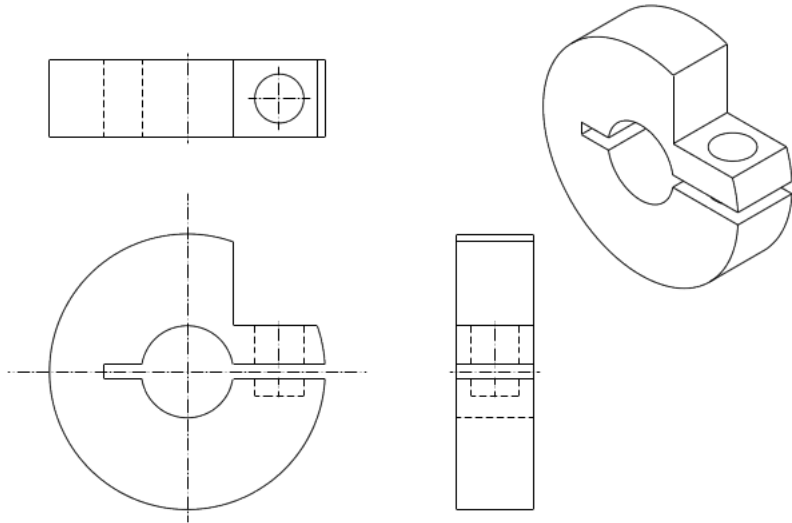
5.17 Problem 5.7 (Figure 5.151) Strike Arm

Given the pictorials, sketch or draw using CAD the multiview and 3-D CAD model.



5.18 Problem 5.7 (Figure 5.155) Drive Collar

Given the pictorial, sketch or draw using CAD the multiviews and 3-D CAD model.



5.19 Problem 5.3 (Figure 5.120)

Given the two views of a multi-view drawing of an object, sketch or draw the given views or use CAD, and then add the missing view. As an additional exercise, create a pictorial sketch of the object.

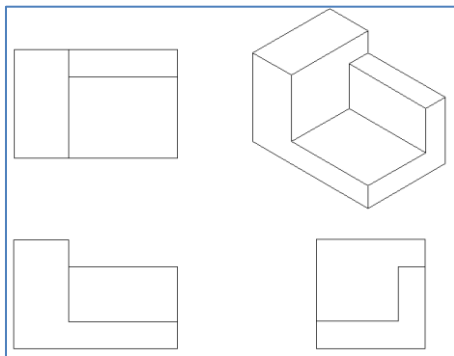


Figure 5.120 (1)

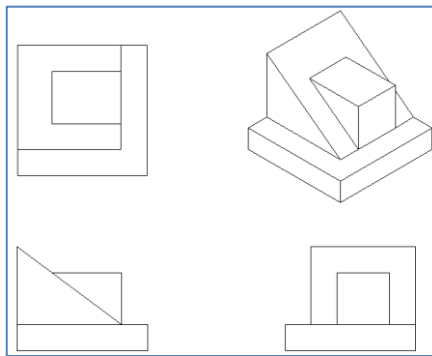


Figure 5.120 (2)

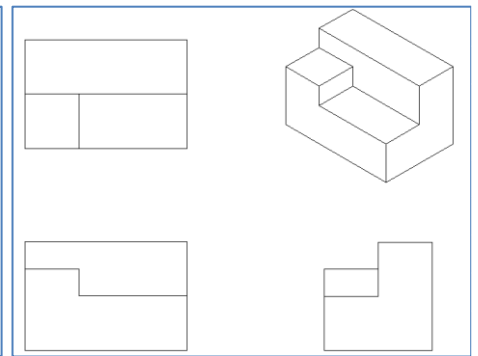


Figure 5.120 (3)

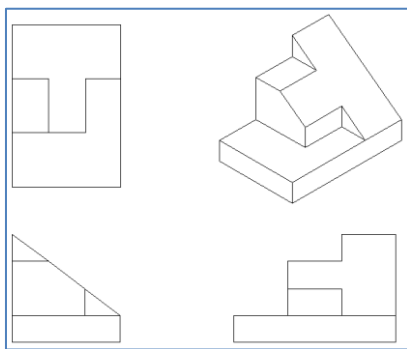


Figure 5.120 (4)

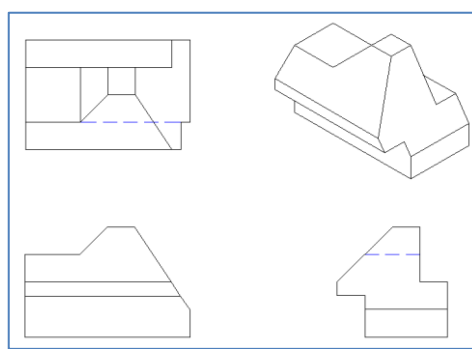


Figure 5.120 (5)

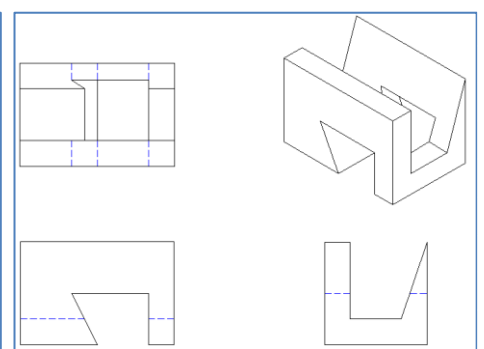


Figure 5.120 (6)

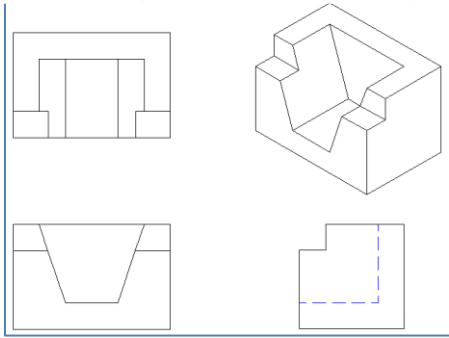


Figure 5.120 (7)

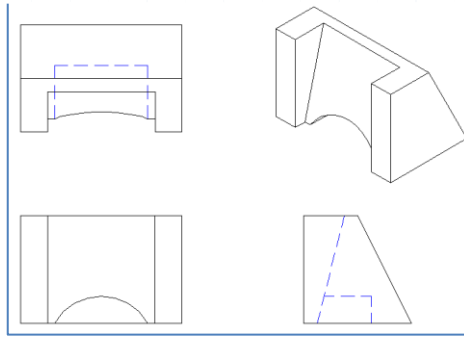


Figure 5.120 (8)

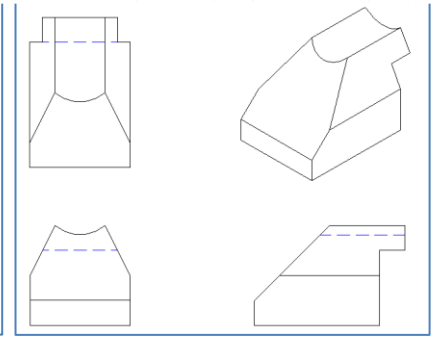


Figure 5.120 (9)

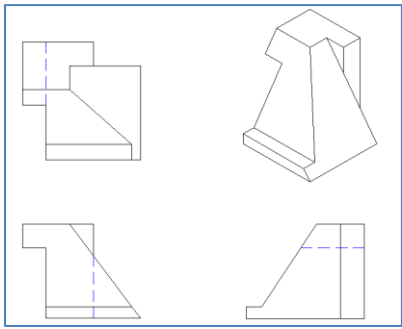


Figure 5.120 (10)

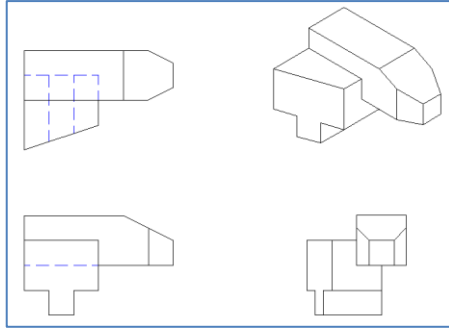


Figure 5.120 (11)

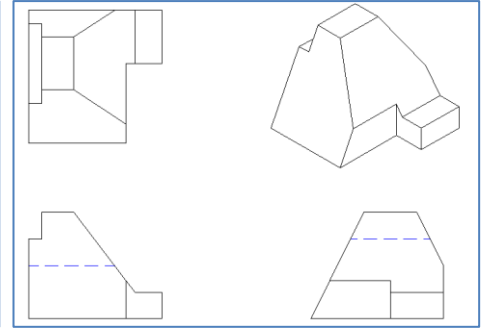


Figure 5.120 (12)

5.20 Problem 5.4 (Figure 5.121)

Given the three incomplete views of a multi-view drawing of an object, sketch or draw the given views or use CAD, and then add the missing line or lines. As an additional exercise, create a pictorial sketch of the object.

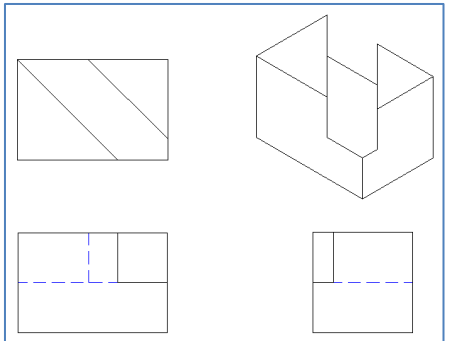


Figure 5.121 (1)

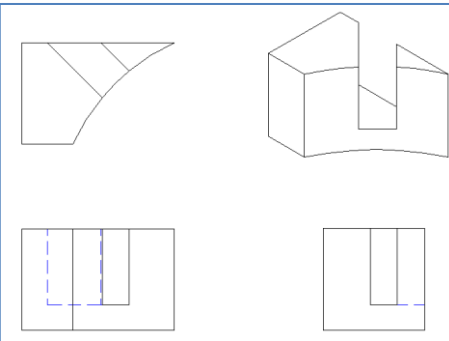


Figure 5.121 (2)

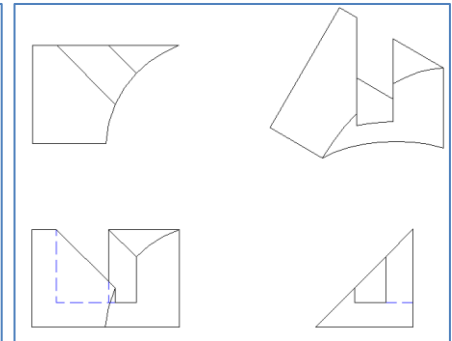


Figure 5.121 (3)

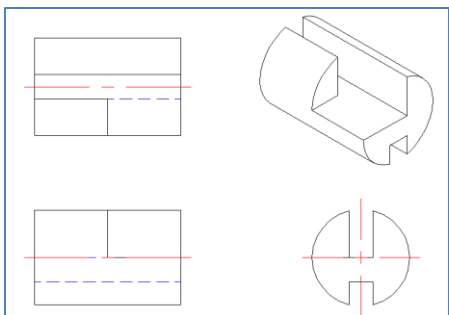


Figure 5.121 (4)

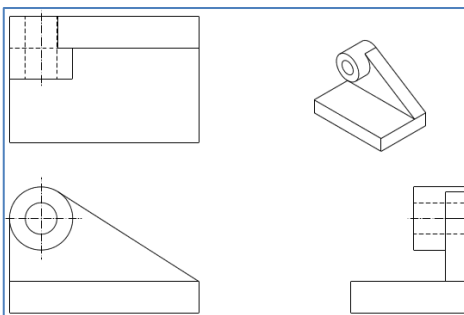


Figure 5.121 (5)

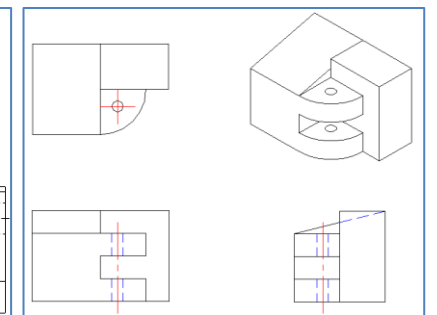


Figure 5.121 (6)

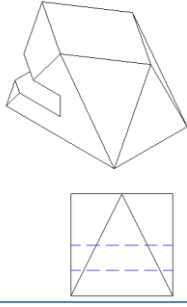
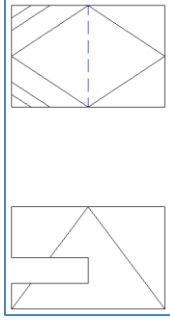


Figure 5.121 (19)

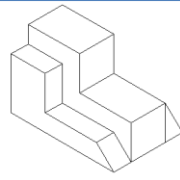
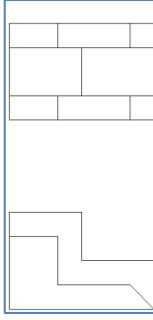


Figure 5.121 (20)

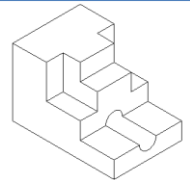
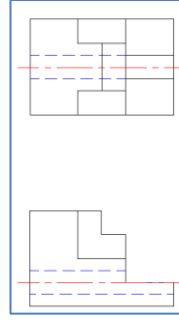


Figure 5.120 (21)

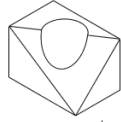
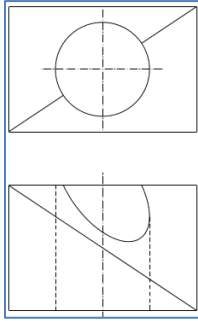


Figure 5.121 (22)

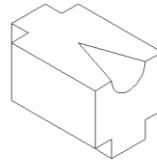
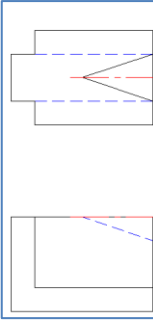


Figure 5.121 (23)

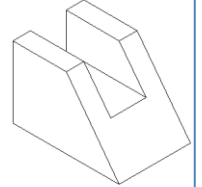
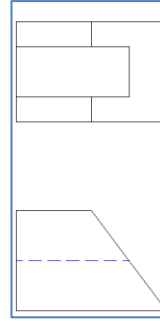


Figure 5.120 (24)