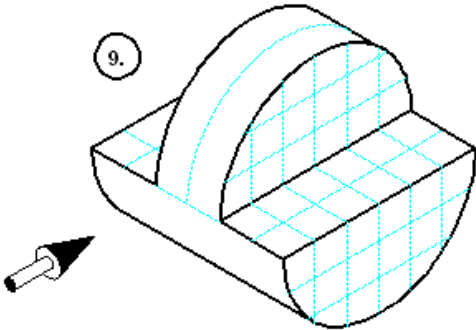
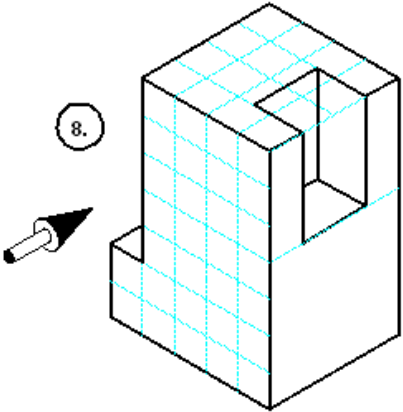
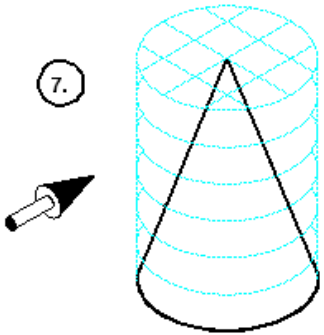
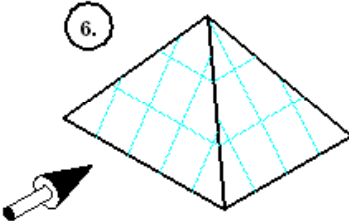
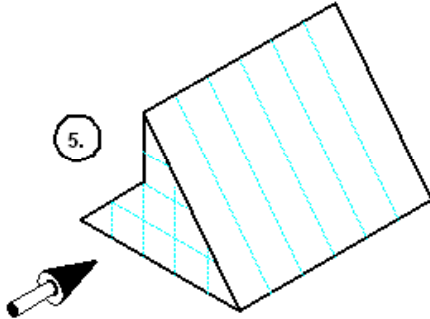
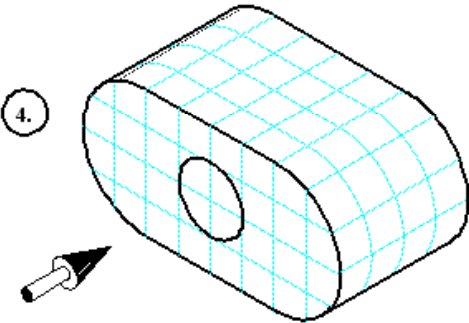
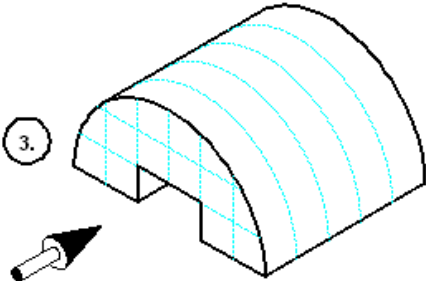
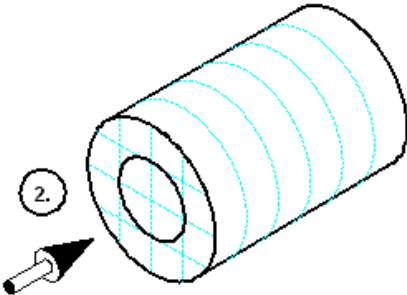
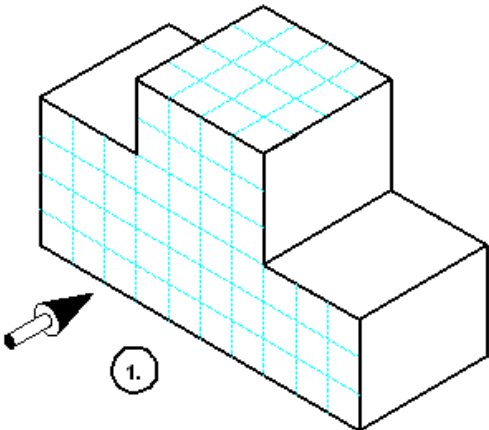
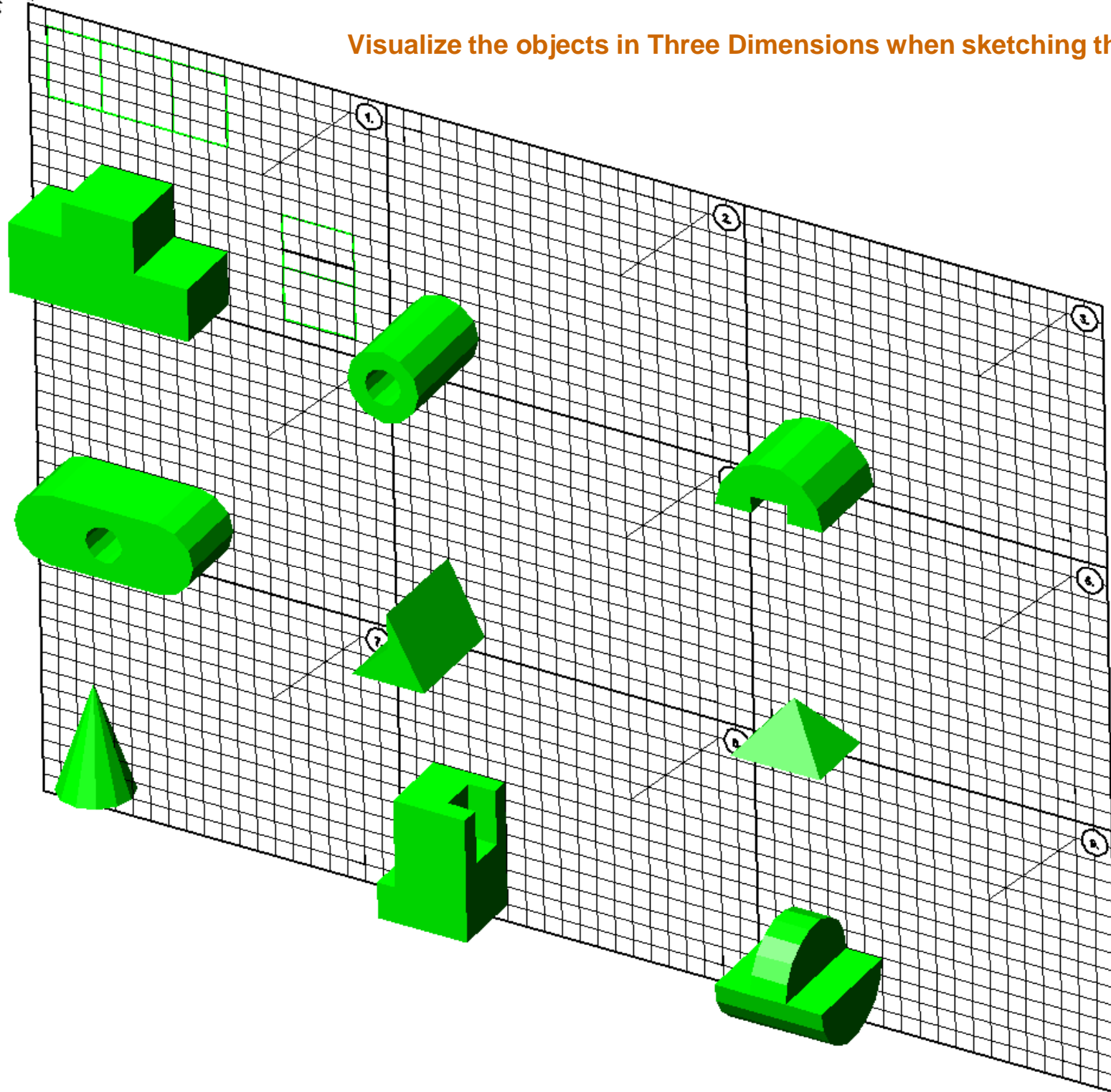


# Multiview Sketching-Exercise 2-1

On the grid sheet at the back of the text, sketch the Front, Top and Right side views of the objects shown below. Begin views in the corners shown in the grid.

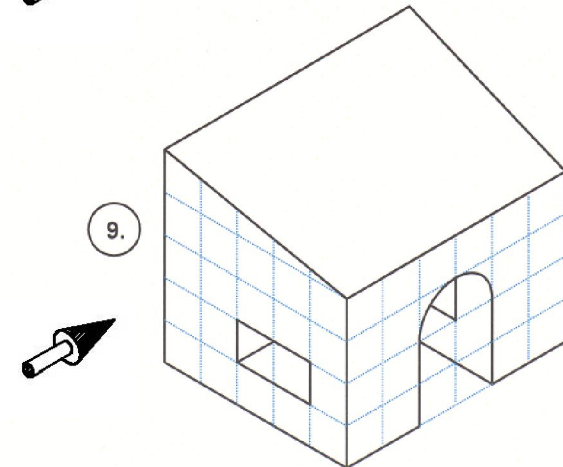
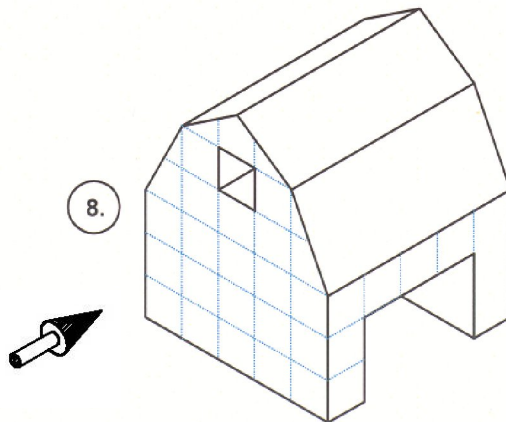
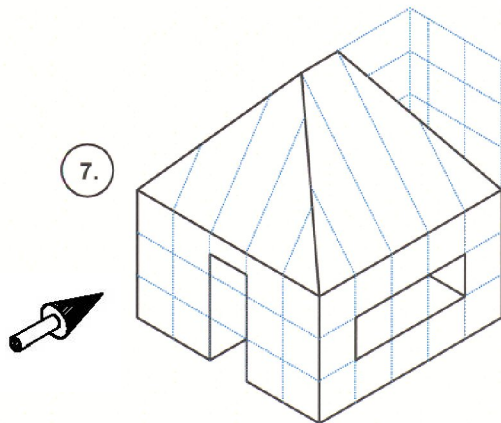
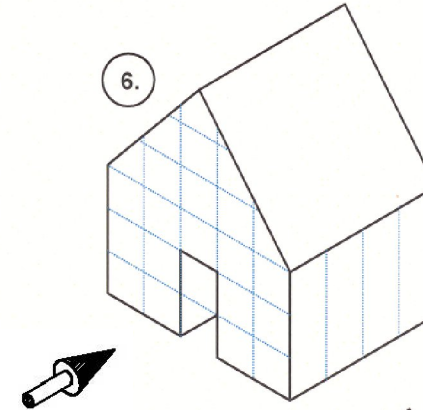
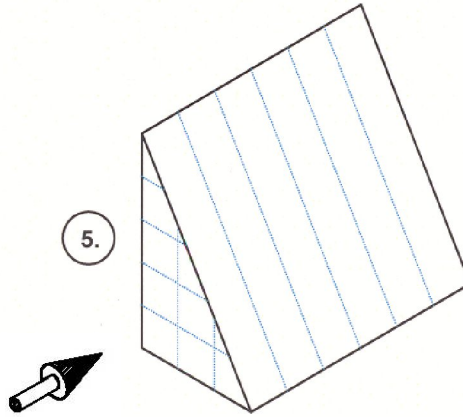
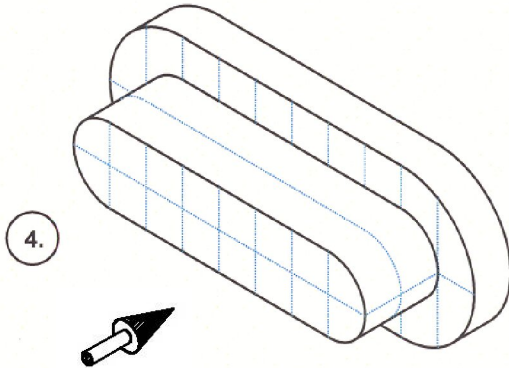
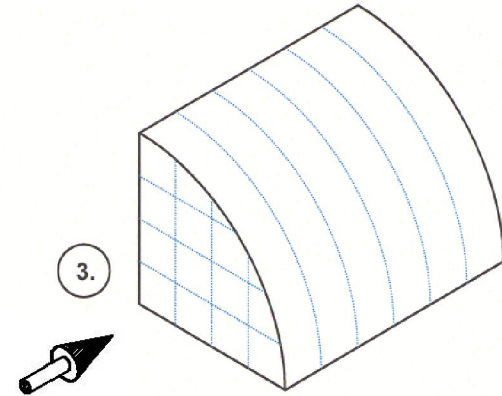
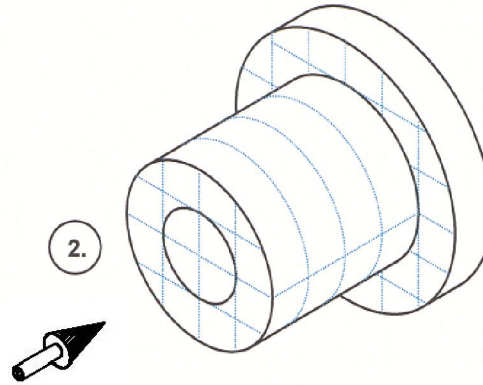
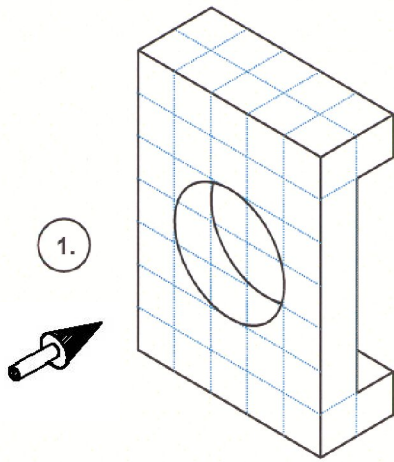


Visualize the objects in Three Dimensions when sketching them.



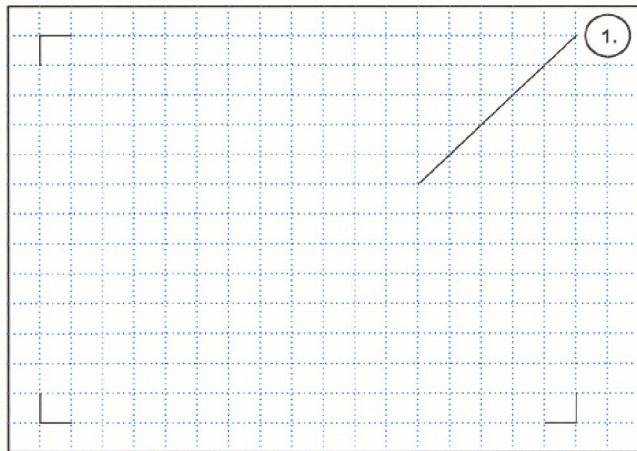
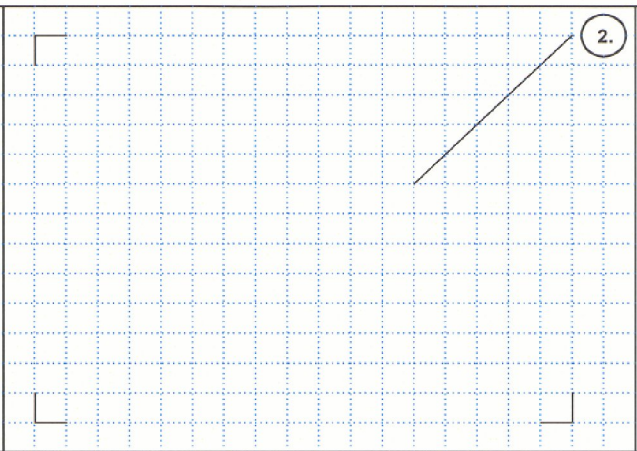
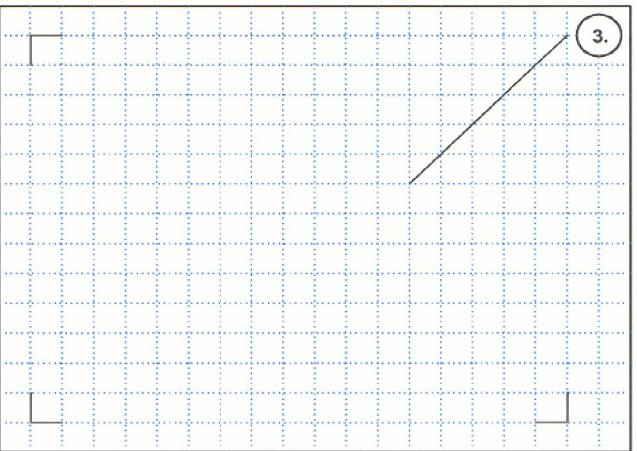
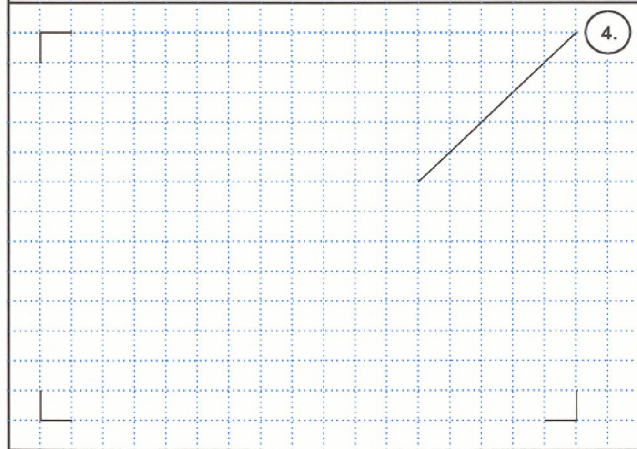
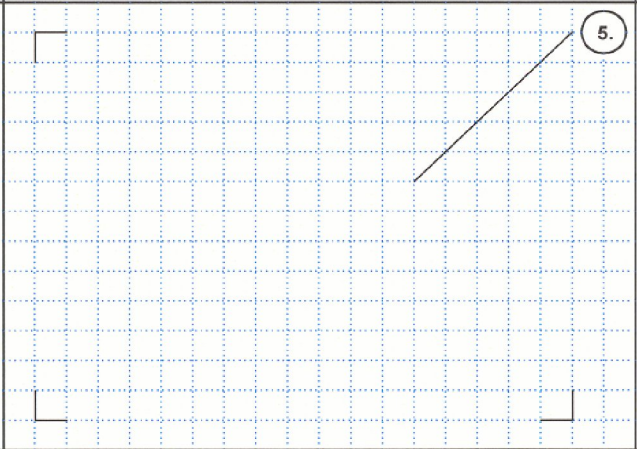
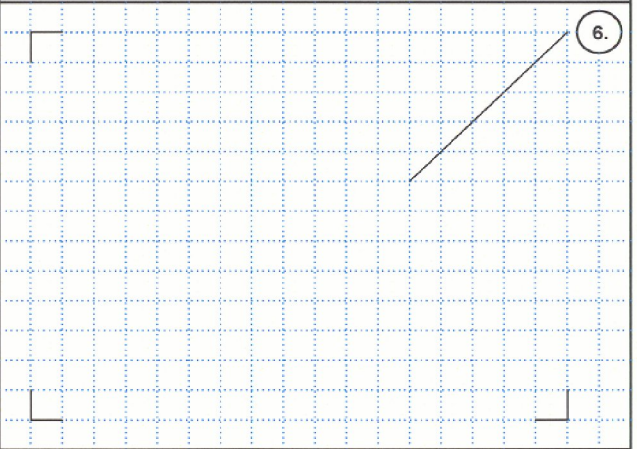
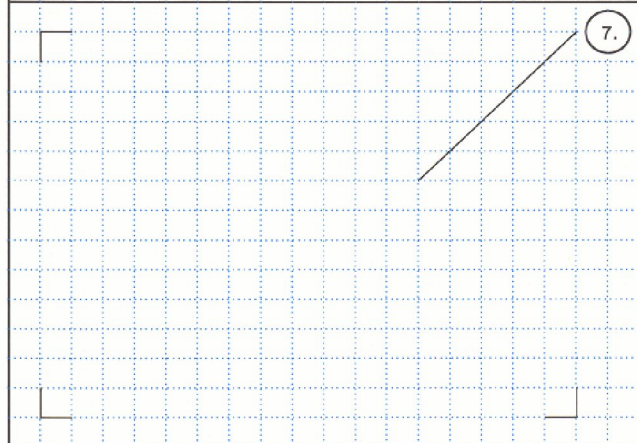
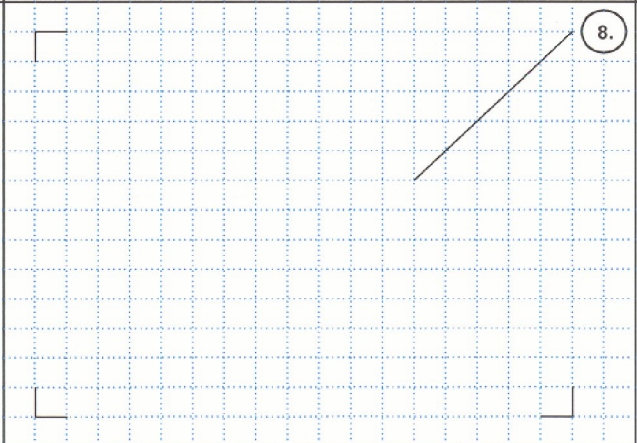
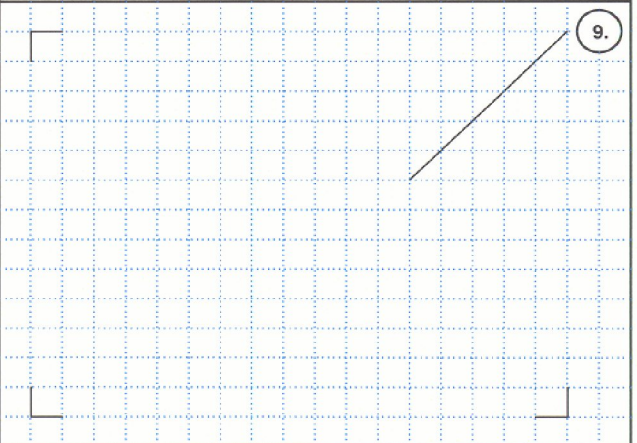
## Multiview Sketching-Exercise 2-2

On the grid sheet provided, sketch the Front, Top and Right side views of the objects shown below. Begin views in the corners shown in the grid.

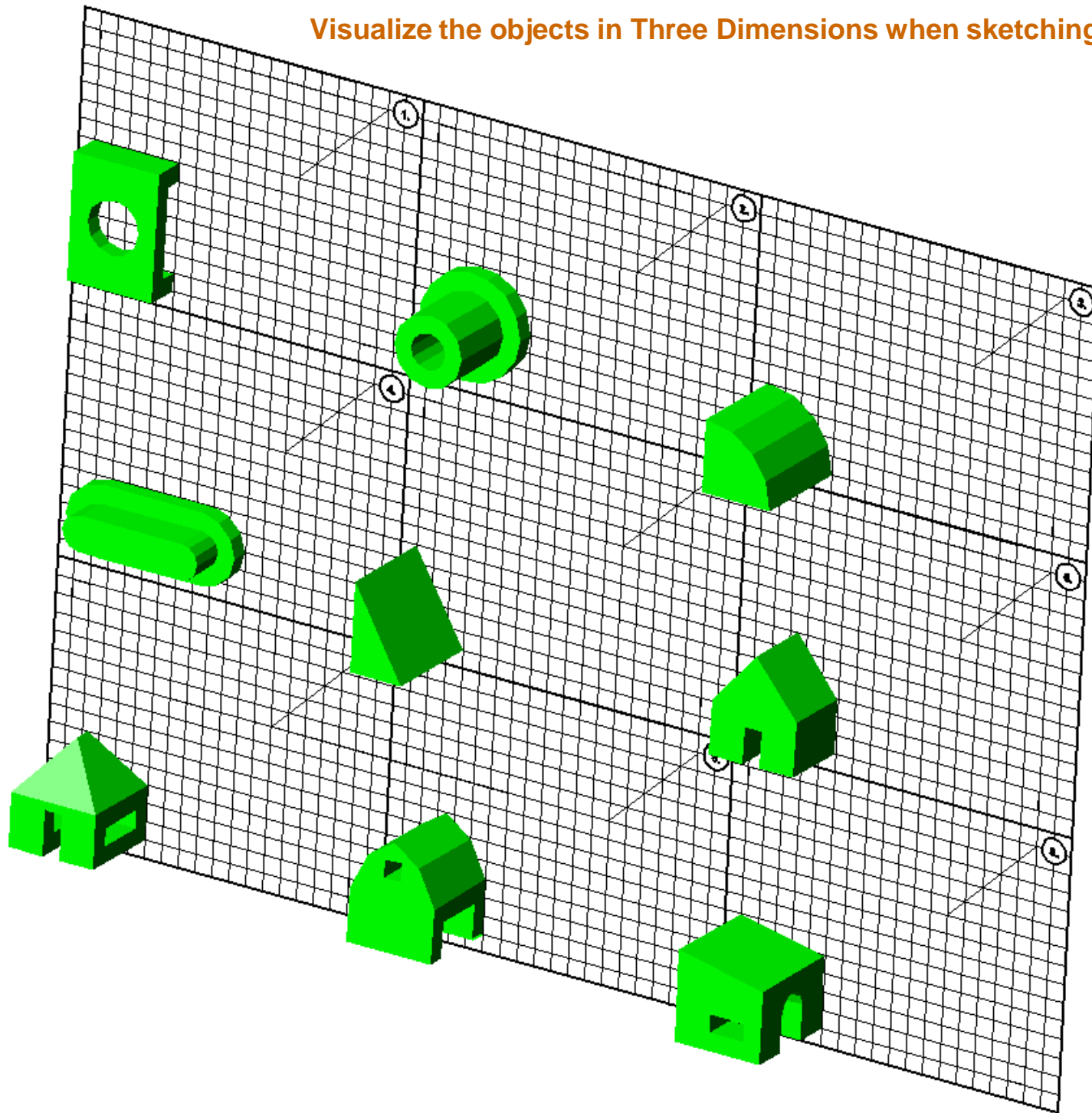




Multiview Sketching-Sheet Number \_\_\_\_\_ Date: \_\_\_\_\_  
Name: \_\_\_\_\_

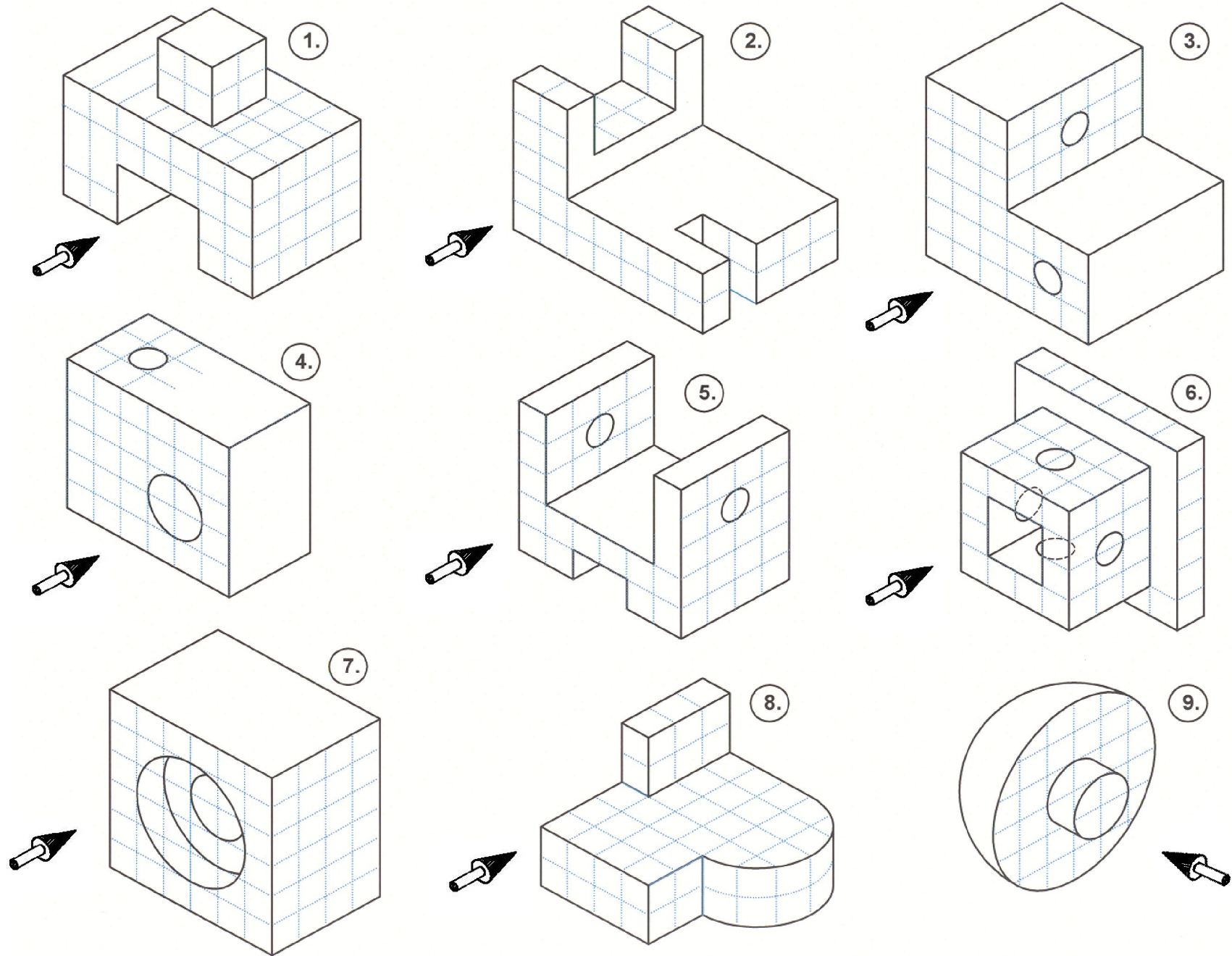
|   |  |   |
|---|--|---|
|    |    |    |
|   |   |   |
|  |  |  |

Visualize the objects in Three Dimensions when sketching them.

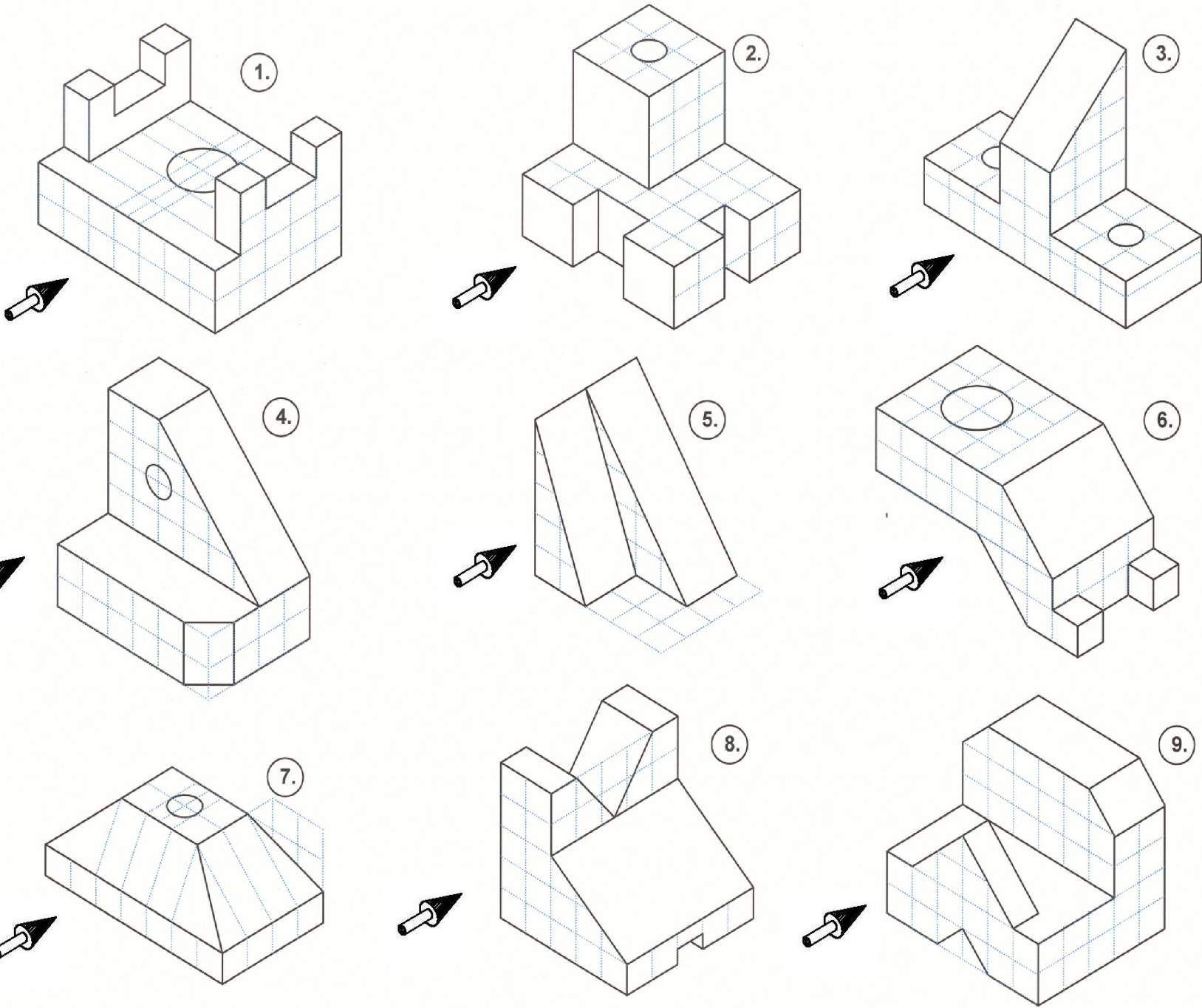




# Multiview Sketching-Exercise 2-3

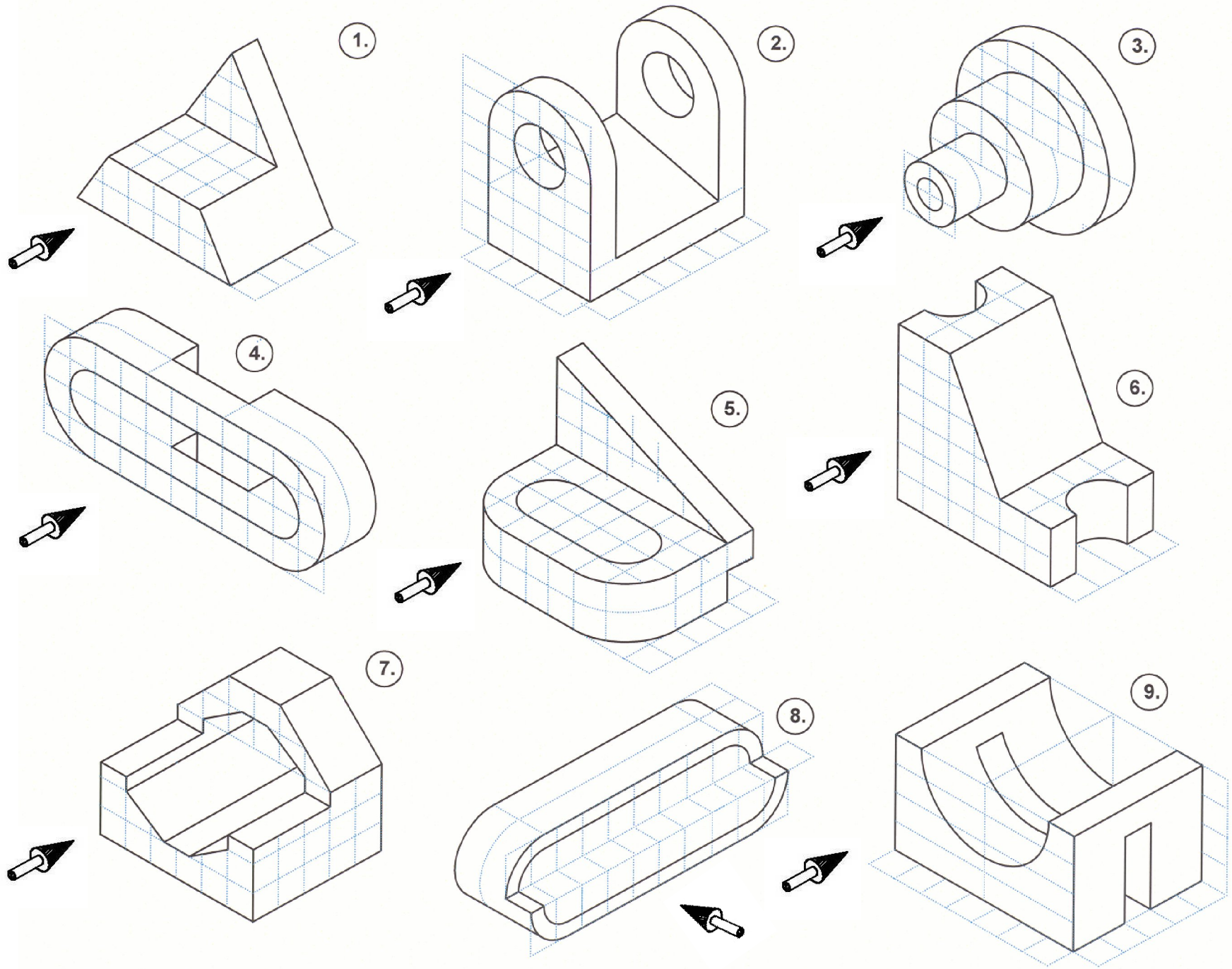


Multiview Sketching-Exercise 2-4





# Multiview Sketching-Exercise 2-5





Multiview Sketching-Exercise 2-6

