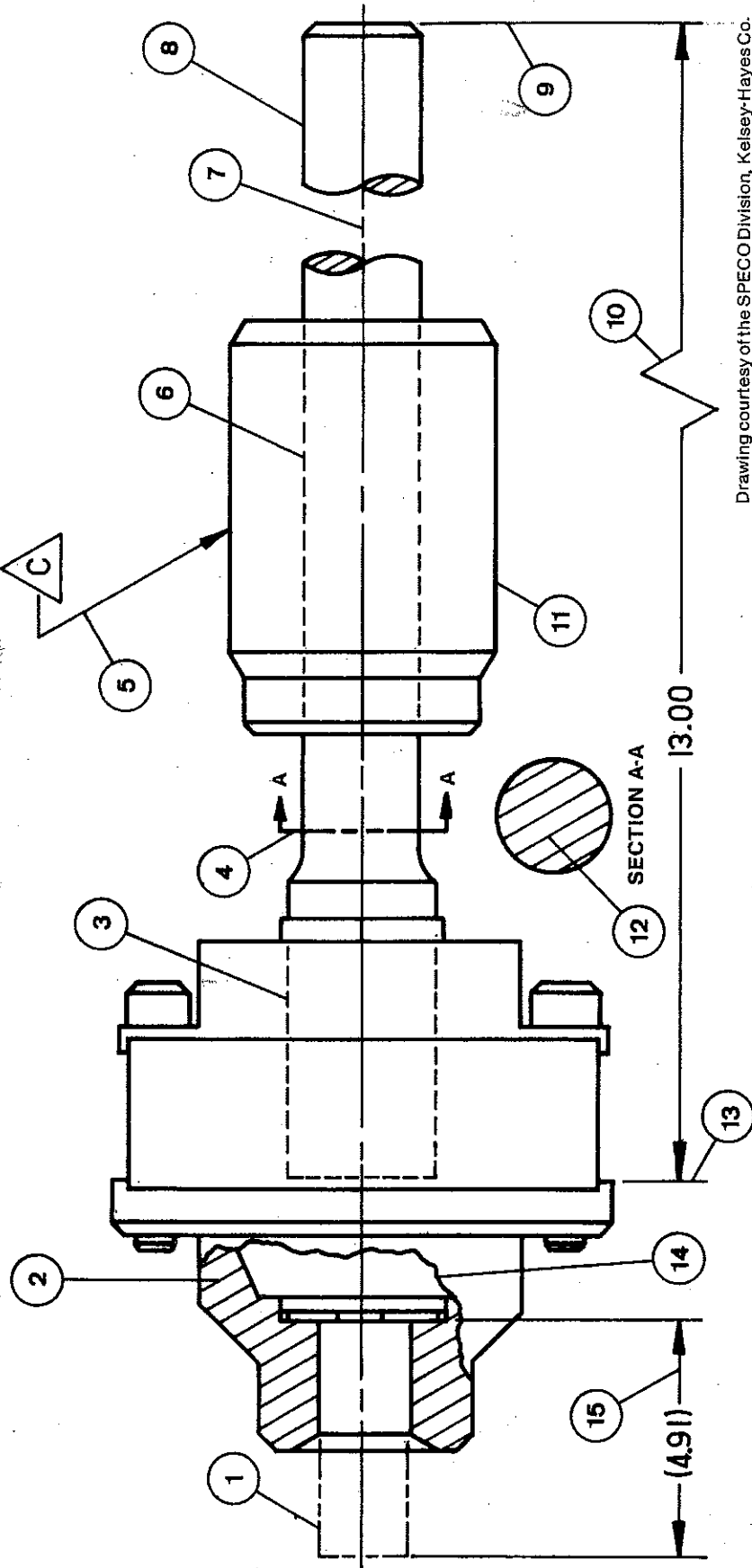


ALPHABET OF LINES

Instructions: Identify the lines shown numbered on this assembly drawing by neatly placing your answers next to the corresponding number, at the bottom of the sheet.



Drawing courtesy of the SPECO Division, Kelsey-Hayes Co.

1	_____	11	_____
2	_____	12	_____
3	_____	13	_____
4	_____	14	_____
5	_____	15	_____
6	_____		
7	_____		
8	_____		
9	_____		
10	_____		

SCHOOL:	TITLE:	NAME:	NO:
CITY:	SCALE:	DATE:	
	PERIOD:		