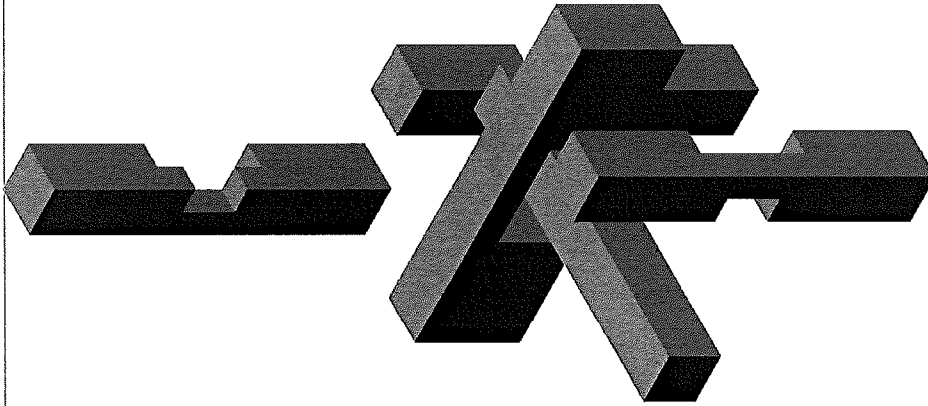




“This workforce solution was funded by a grant awarded by the U.S. Department of Labor’ Employment and Training Administration. The solution was created by the grantee and does not necessarily reflect the official position of the U. S. Department of Labor. The Department of Labor makes no guarantees, warranties, or assurances of any kind, express or implied, with respect to such information, including any information on linked sites and including, but not limited to, accuracy of the information or its completeness, timeliness, usefulness, adequacy, continued availability, or ownership.”

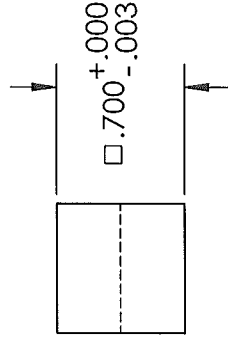
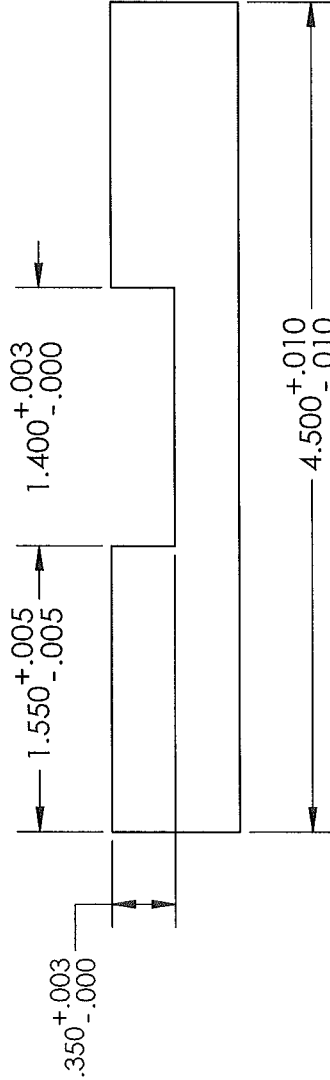
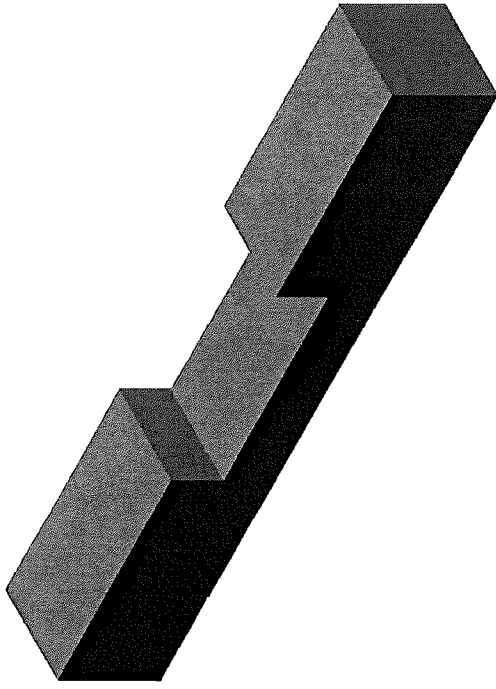


This MoWINS product was created by State Technical College of Missouri and is licensed under a [Creative Commons Attribution 4.0 United States License](http://creativecommons.org/licenses/by/4.0/). To view a copy of this license, visit <http://creativecommons.org/licenses/by/4.0/>



| | | | | | | | | | |
|-----------------------------|--|--------------------------------------|--|-----------|------|--------|------|----------|-----|
| UNLESS OTHERWISE SPECIFIED: | | DRAWN | | NAME | DATE | TITLE: | SIZE | DWG. NO. | REV |
| DIMENSIONS ARE IN INCHES | | CHECKED | | | | | | | |
| TOLERANCES: | | ENG APPR. | | COMMENTS: | | | | | |
| FRACTIONAL: ± | | MFG APPR. | | | | | | | |
| ANGULAR: MA CH ± BEND ± | | Q.A. | | | | | | | |
| TWO PLACE DECIMAL ± | | INTERPRET GEOMETRIC TOLERANCING PER: | | | | | | | |
| THREE PLACE DECIMAL ± | | MATERIAL | | | | | | | |
| NEXT ASSY | | FINISH | | | | | | | |
| APPLICATION | | DO NOT SCALE DRAWING | | | | | | | |
| USED ON | | | | | | | | | |
| APPLICATION | | | | | | | | | |
| SCALE: 1:2 | | | | | | | | | |
| WEIGHT: | | | | | | | | | |

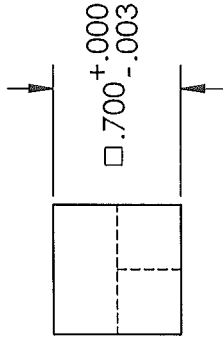
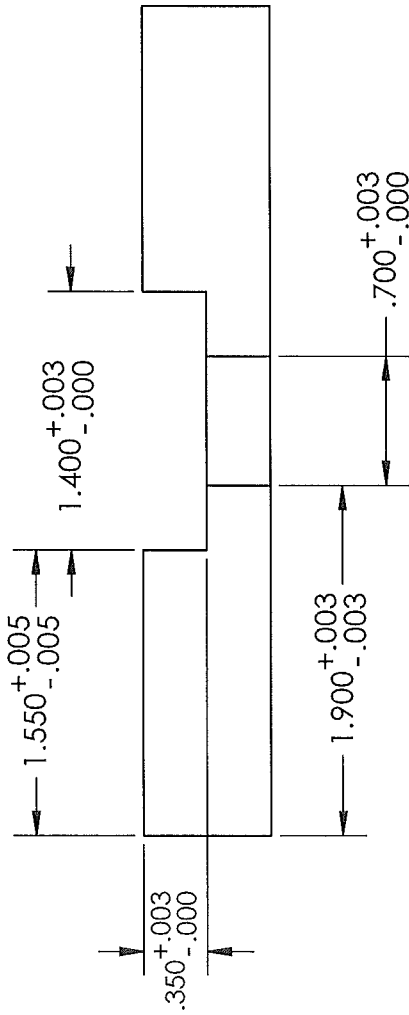
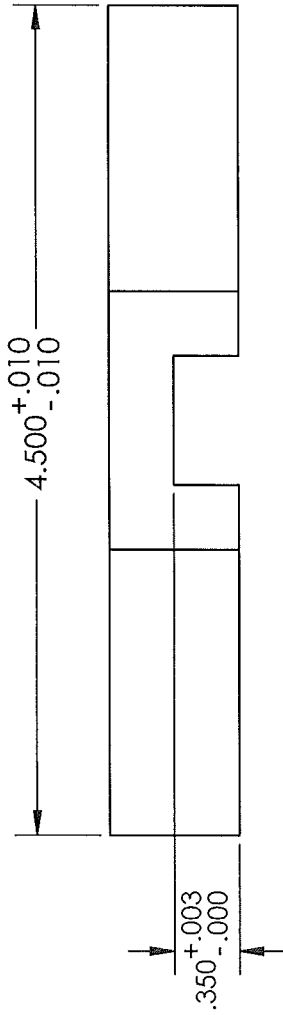
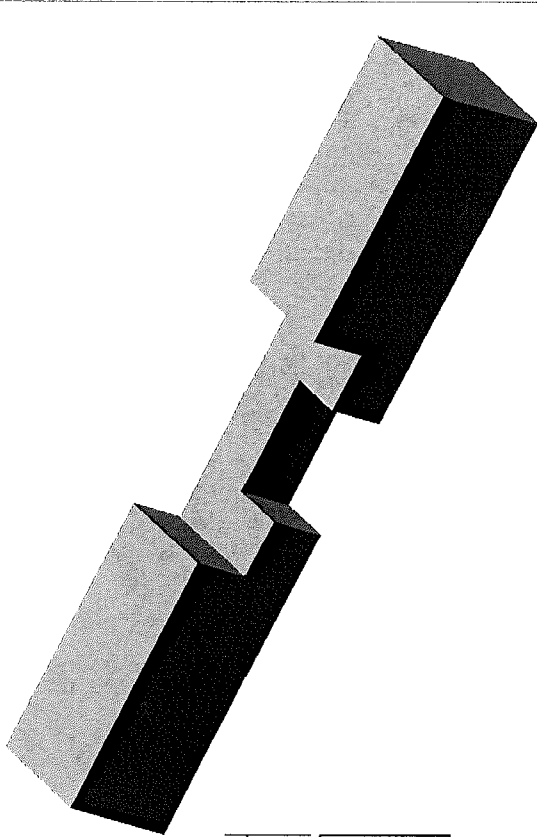
PROPRIETARY AND CONFIDENTIAL
 THE INFORMATION CONTAINED IN THIS DRAWING IS THE SOLE PROPERTY OF <INSERT COMPANY NAME HERE>. ANY REPRODUCTION IN PART OR AS A WHOLE WITHOUT THE WRITTEN PERMISSION OF <INSERT COMPANY NAME HERE> IS PROHIBITED.



Material: Aluminum
2 Req'd

| UNLESS OTHERWISE SPECIFIED: | | NAME | DATE |
|--------------------------------------|----------------------|-----------|------|
| DIMENSIONS ARE IN INCHES | | DRAWN | |
| TOLERANCES: | | CHECKED | |
| FRACTIONAL ± | | ENG APPR. | |
| ANGULAR: MACH ± BEND ± | | MFG APPR. | |
| TWO PLACE DECIMAL ± | | Q.A. | |
| THREE PLACE DECIMAL ± | | COMMENTS: | |
| INTERPRET GEOMETRIC TOLERANCING PER: | | | |
| MATERIAL | | | |
| FINISH | | | |
| NEXT ASSY | USED ON | | |
| APPLICATION | DO NOT SCALE DRAWING | | |

| | | |
|---|---------|---|
| PROPRIETARY AND CONFIDENTIAL THE INFORMATION CONTAINED IN THIS DRAWING IS THE SOLE PROPERTY OF <INSERT COMPANY NAME HERE>. ANY REPRODUCTION IN PART OR AS A WHOLE WITHOUT THE WRITTEN PERMISSION OF <INSERT COMPANY NAME HERE> IS PROHIBITED. | | SIZE A DWG. NO. Part1 REV |
| SCALE: 1:1 | WEIGHT: | SHEET 1 OF 1 |

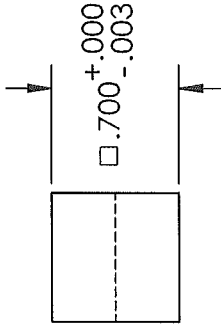
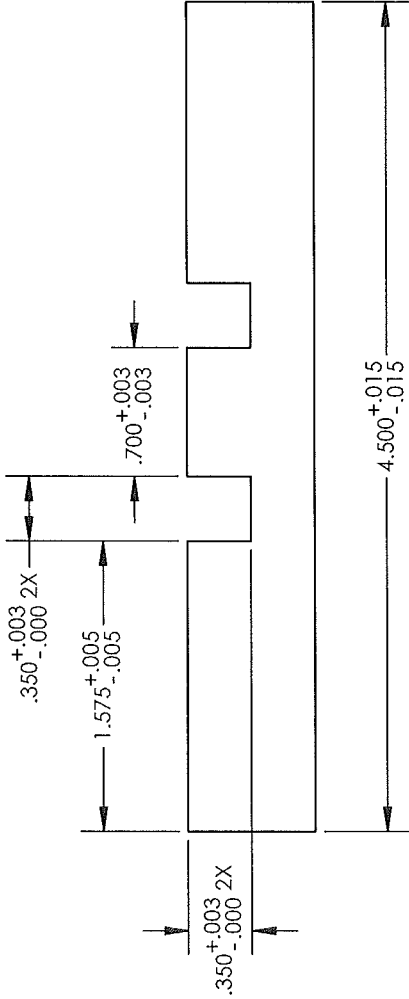
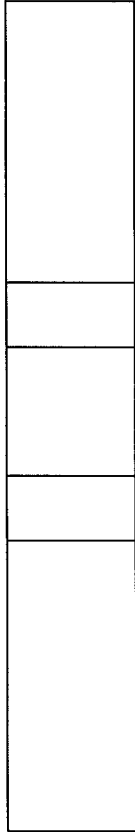
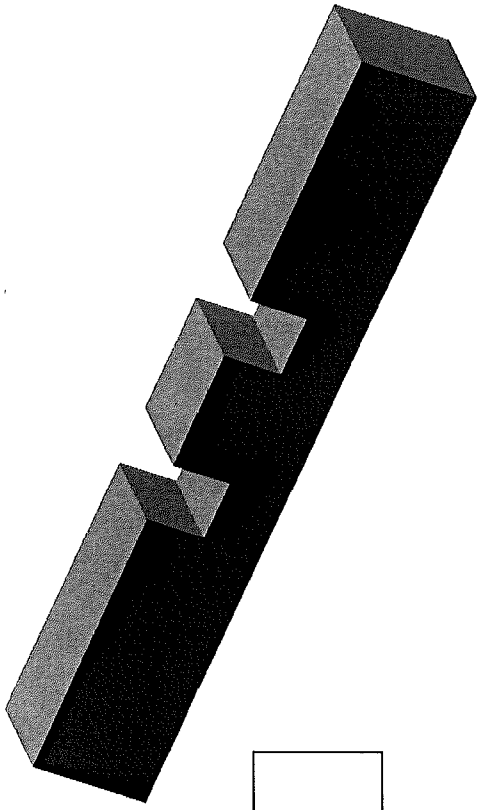


Material: Aluminum
2 Req'd

| UNLESS OTHERWISE SPECIFIED: | | NAME | DATE |
|--------------------------------------|--------|---------|------|
| DIMENSIONS ARE IN INCHES | | | |
| TOLERANCES: | | | |
| FRACTIONAL ± | | | |
| ANGULAR: MACH ± | BEND ± | | |
| TWO PLACE DECIMAL ± | | | |
| THREE PLACE DECIMAL ± | | | |
| INTERPRET GEOMETRIC TOLERANCING PER: | | | |
| MATERIAL | | | |
| FINISH | | | |
| NEXT ASSY | | USED ON | |
| APPLICATION | | | |

| | | | |
|------------|--------------|-------------------|--|
| TITLE: | | Betelgeuse Puzzle | |
| SIZE | DWG. NO. | REV | |
| A | Part2 | | |
| SCALE: 1:1 | WEIGHT: | SHEET 1 OF 1 | |

PROPRIETARY AND CONFIDENTIAL
 THE INFORMATION CONTAINED IN THIS DRAWING IS THE SOLE PROPERTY OF <INSERT COMPANY NAME HERE>. ANY REPRODUCTION IN PART OR AS A WHOLE WITHOUT THE WRITTEN PERMISSION OF <INSERT COMPANY NAME HERE> IS PROHIBITED.



Material: Aluminum
1 Req'd

| | | | |
|--|--|----------------------|--------------|
| UNLESS OTHERWISE SPECIFIED: | | NAME | DATE |
| DIMENSIONS ARE IN INCHES | | | |
| TOLERANCES: | | DRAWN | |
| FRACTIONAL ± | | CHECKED | |
| ANGULAR: MACH ± BEND ± | | ENG APPR. | |
| TWO PLACE DECIMAL ± | | MFG APPR. | |
| THREE PLACE DECIMAL ± | | G.A. | |
| INTERPRET GEOMETRIC TOLERANCING PER: | | COMMENTS: | |
| MATERIAL | | | |
| FINISH | | | |
| NEXT ASSY | | USED ON | |
| APPLICATION | | DO NOT SCALE DRAWING | |
| <p>PROPRIETARY AND CONFIDENTIAL THE INFORMATION CONTAINED IN THIS DRAWING IS THE SOLE PROPERTY OF <INSERT COMPANY NAME HERE>. ANY REPRODUCTION IN PART OR AS A WHOLE WITHOUT THE WRITTEN PERMISSION OF <INSERT COMPANY NAME HERE> IS PROHIBITED.</p> | | SIZE | DWG. NO. |
| | | A | Part3 |
| | | SCALE: 1:1 | WEIGHT: |
| | | | SHEET 1 OF 1 |

TITLE:

Betelgeuse Puzzle

REV