

±1/64	FRACTION
X.X	X.X
±0.0100	X.XX
±0.0020	X.XXXX
±0.0005	X.XXXXX

SUBTRACT 5 PTS. FOR EACH UNIT OF TOL. ANGLE ±1°

SPRING CENTER

DR BY: J. WORTHY

DATE COMPLETED 01/12/04

DWG NO: 100-10-1

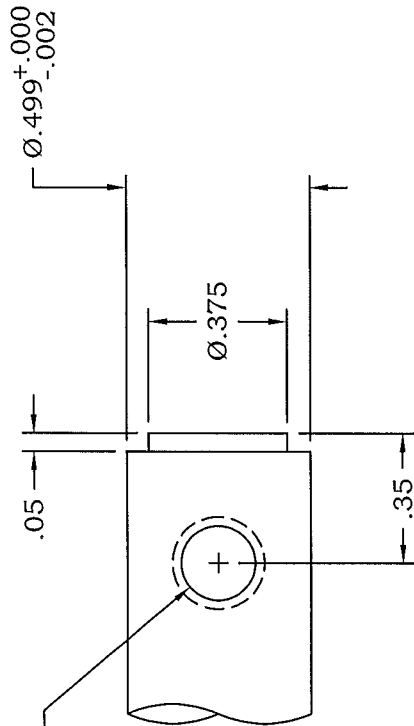
SHT 1 OF 2

THIS DRAWING IS MAINTAINED BY THE MECHANICAL ENGINEERING TECHNICIAN PROGRAM FOR USE BY STUDENTS IN THE MANUFACTURING TECHNOLOGY PROGRAM.

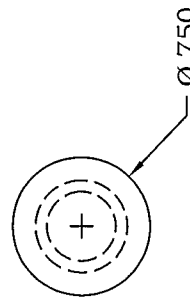
SCALE: FULL

REV NO: G

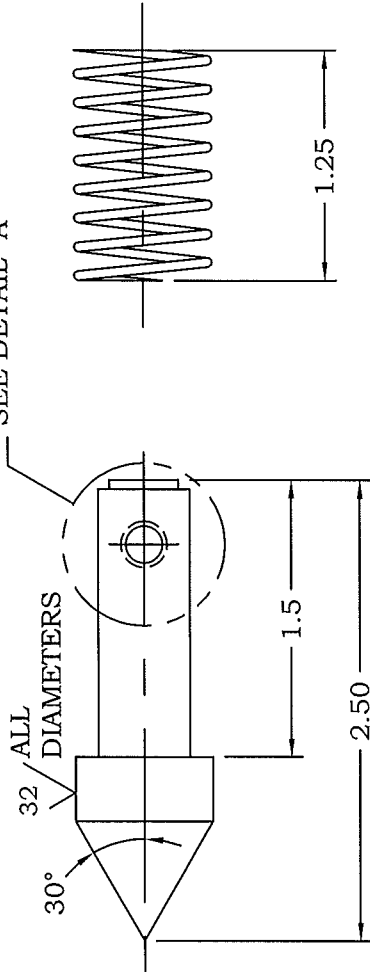
DRILL #7 THRU  
TAP 1/4-20UNC THRU  
1/16 X 45° CHAMFER  
BOTH SIDES



DETAIL "A" - SCALE 2:1



SEE DETAIL "A"



$\pm 1/64$	FRACTION
X.X	X.X
$\pm 0.0100$	X.XX
$\pm 0.0020$	X.XXX
$\pm 0.0005$	X.XXXX
SUBTRACT 5 PITS. FOR EACH UNIT OF TOL. ANGLE $\pm 1^\circ$ .	

SPRING CENTER

DR BY: J. WORTHY

DWG NO: 100-10-2

SHT 2 OF 2

THIS DRAWING IS MAINTAINED BY THE MECHANICAL ENGINEERING TECHNICIAN PROGRAM FOR USE BY STUDENTS IN THE MANUFACTURING TECHNOLOGY PROGRAM.

DATE COMPLETED 01/12/04

SCALE: FULL

REV NO: F

"This workforce solution was funded by a grant awarded by the U.S. Department of Labor' Employment and Training Administration. The solution was created by the grantee and does not necessarily reflect the official position of the U. S. Department of Labor. The Department of Labor makes no guarantees, warranties, or assurances of any kind, express or implied, with respect to such information, including any information on linked sites and including, but not limited to, accuracy of the information or its completeness, timeliness, usefulness, adequacy, continued availability, or ownership."



This MoWINS product was created by State Technical College of Missouri and is licensed under a [Creative Commons Attribution 4.0 United States License](http://creativecommons.org/licenses/by/4.0/). To view a copy of this license, visit <http://creativecommons.org/licenses/by/4.0/>