

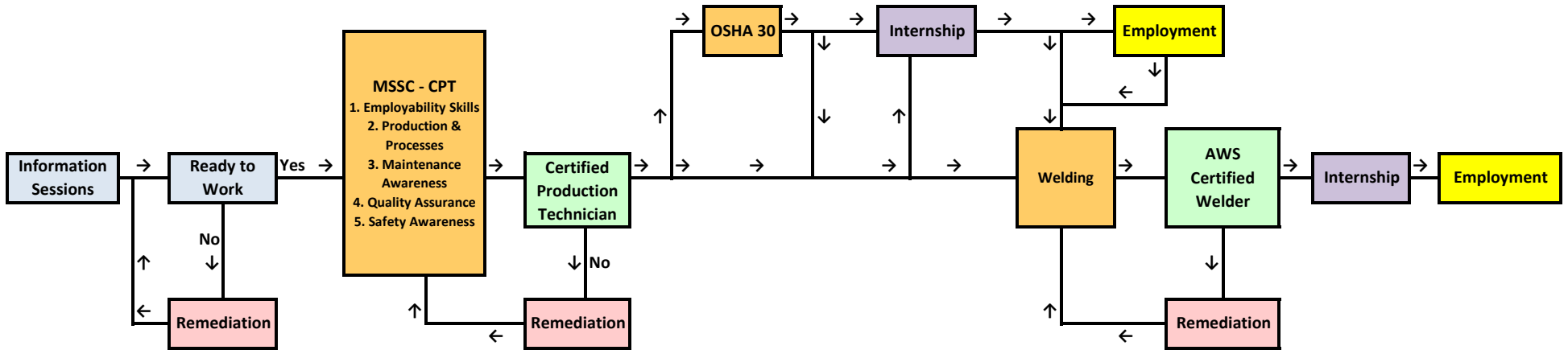


Individual Development Plan Welding Pathway

Name: _____

College: _____

Date: _____



Task/Activity/Course	Date Completed/Achieved
Information Session	
Ready to Work Credential	
Intro to Manufacturing	
MSSC Start Date	
Safety Awareness	
Maintenance Awareness	
Production and Processes	
Quality Awareness	
Employability Skills	
CPT Certification	

Task/Activity/Course	Date Completed/Achieved
OSHA Training	
Welding Training	
AWS Certified Welder	

Internship:
 Company: _____
 Start Date: _____
 End Date: _____
 Pay: _____

Employment:
 Company: _____
 Start Date: _____
 Start Pay: _____
 6 Month Pay: _____

Comments / Follow Up (Use Back if Needed)