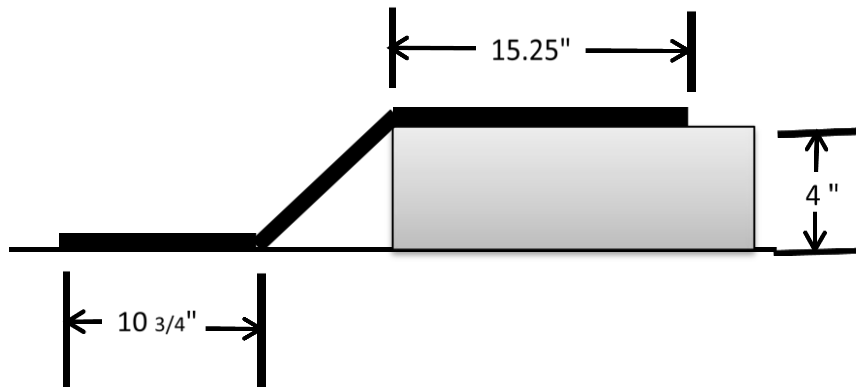


Commercial Laboratory Project 8

3/4" EMT Conduit Assignment

(30 Degree Offset)

1. Make each conduit bend from the measurements provided.
2. Conduit ends must be reamed to remove sharp edges.
3. Offsets are required at all box locations.
4. All measurements must be within 1/8 inch of specified design.
5. Do not exceed 1 inch between block and conduit.
6. Work is in accordance with the National Electrical Code.
7. Label conduit with your name and submit to Instructor.



NAME: _____, Date: _____.

Points Received: _____, Instructor's Initials: _____.

Instructor's Remarks: