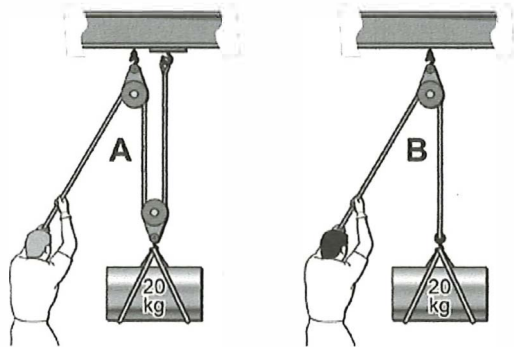


# Session 12--Mechanical Reasoning Assessment

## SAMPLE MECHANICAL REASONING TEST

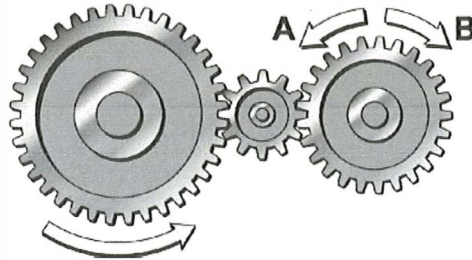
This is a sample test for you to get prepared for the 'real' Mechanical Reasoning test for BCIT Trades Programs. (Test has 70 questions with a time limit of 60 minutes).

1



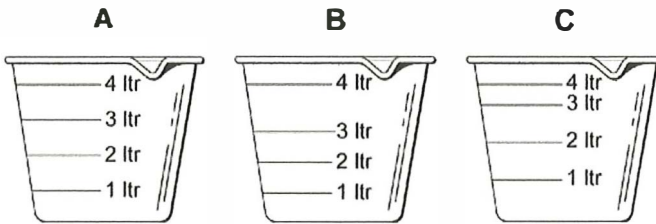
Which person must pull harder to lift the weight?  
(If no difference, mark C.)

2



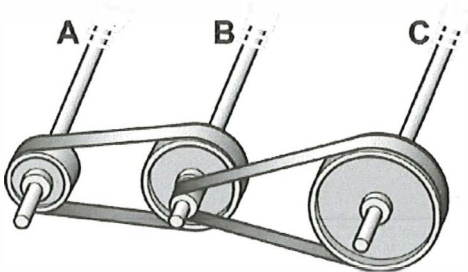
When the left-hand gear turns in the direction shown, which way does the right-hand one turn?  
(If either, mark C.)

3

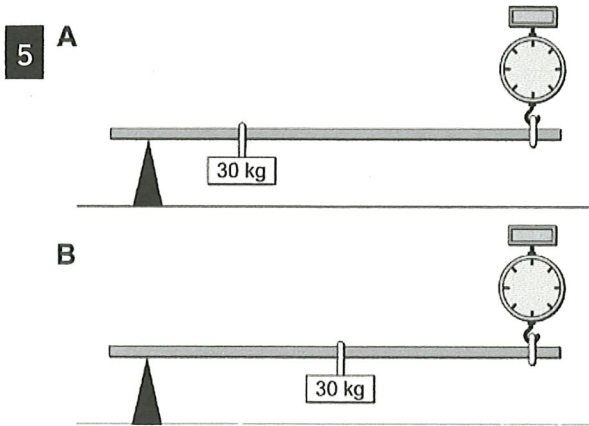


Which measure is marked properly?

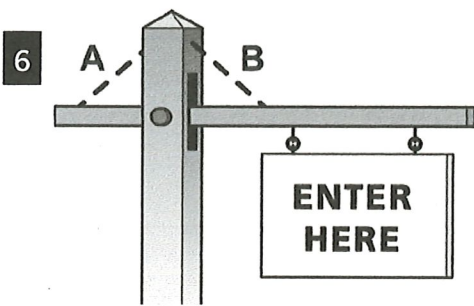
4



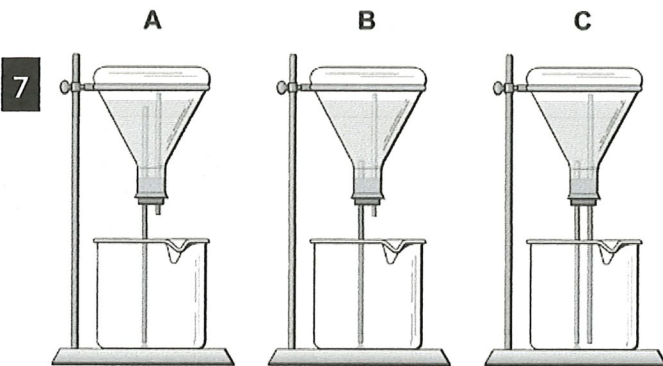
Which shaft will turn most quickly?



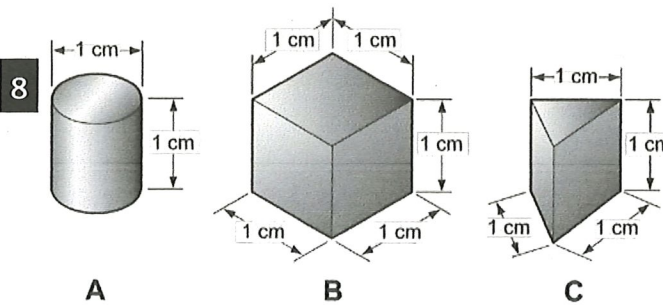
In which picture will the scales read lower (less weight)?  
(If equal mark C.)



Where should a chain be attached to hold up the sign?  
(If either, mark C.)

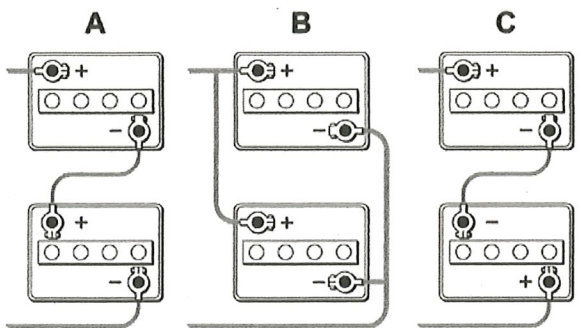


Which system will let the most water run out?



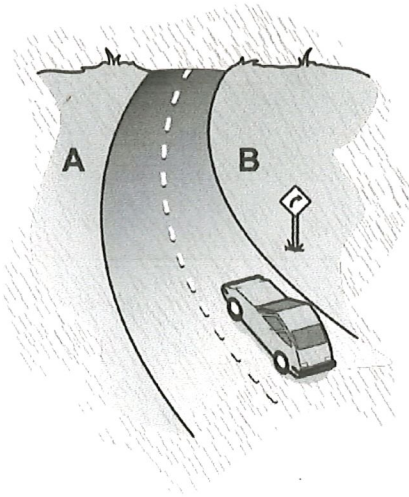
Which weighs most?

9



Which diagram shows two 6-volt batteries connected to give 12 volts?

10



Off which side of the road is the car least likely to skid? (If no difference, mark C.)

Answers  
1-B; 2-A; 3-C; 4-A; 5-A; 6-B; 7-B; 8-B; 9-A; 10-B