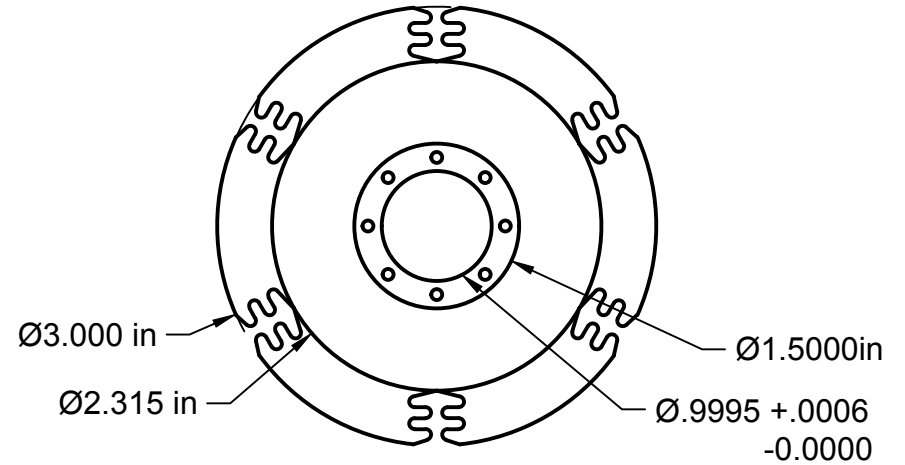
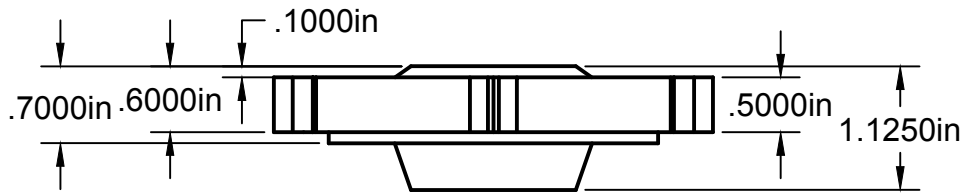
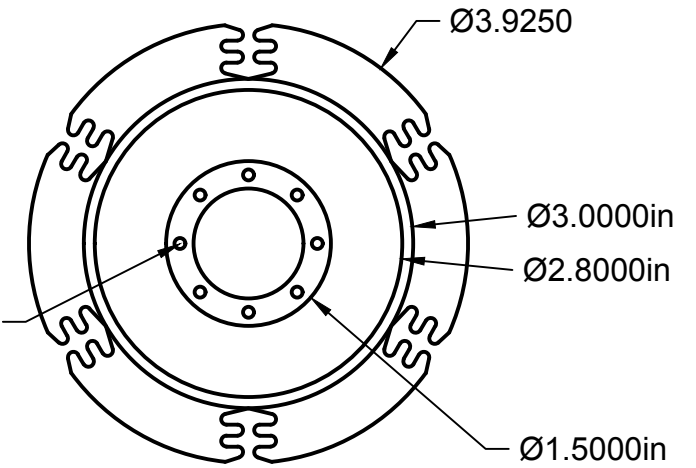


Ø0.100X8
Equally Spaced
BC 1.254



DIMENSIONS ARE IN INCHES

TWO PLACED DECIMAL ±.01
THREE PLACED DECIMAL ±.003
FOUR PLACED DECIMAL ±.0006

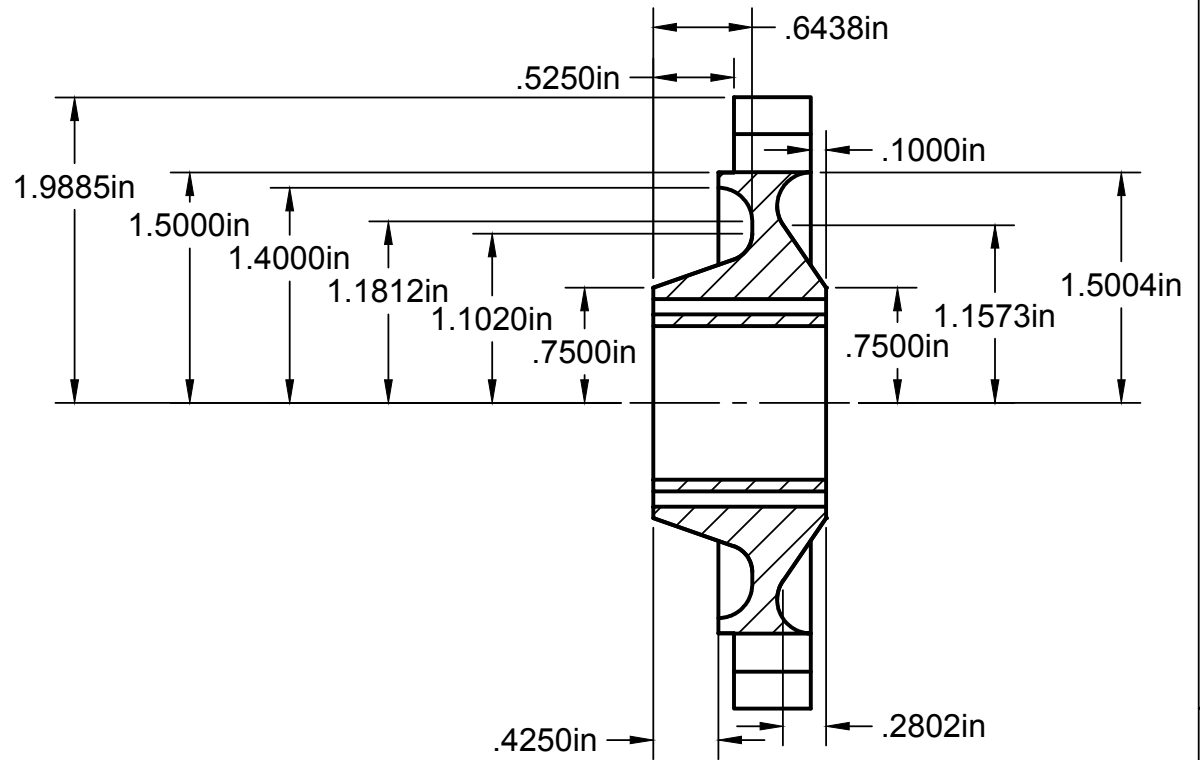
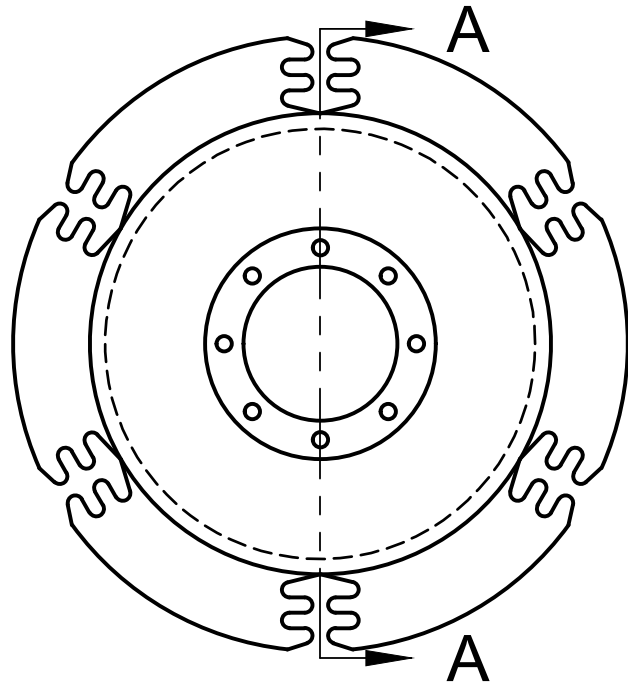


APPROVED
CHECKED
DRAWN Brionna Ashworth 2/5/2018

PROJECT
IMT 17-18

TITLE
Turbine Disk

SIZE A	CODE	DWG NO	REV
SCALE 1:1.75	WEIGHT	SHEET 1/3	



SECTION A-A
SCALE 1:1.25



Danville Community College

Advanced Manufacturing Programs

PROJECT

IMT 17-18

TITLE

Turbine with Blade Slots

DIMENSIONS ARE IN INCHES

TWO PLACED DECIMAL ±.01
THREE PLACED DECIMAL ±.003
FOUR PLACED DECIMAL ±.0006

APPROVED

CHECKED

DRAWN Brionna Ashworth 2/5/2018

SIZE

A

CODE

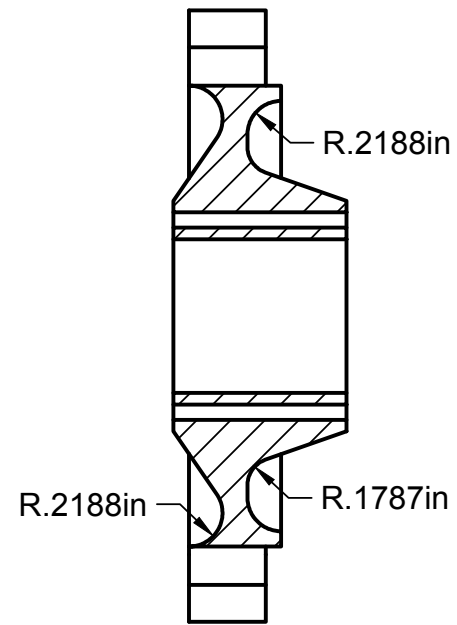
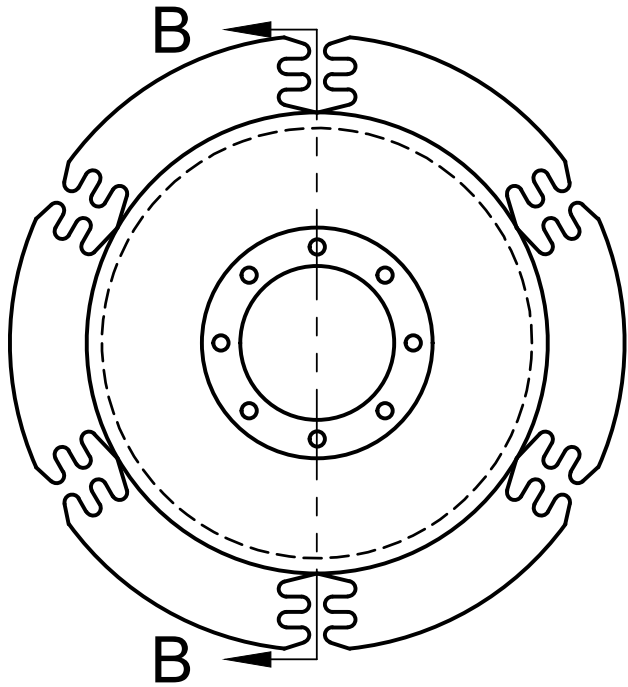
DWG NO

REV

SCALE 1:1.25

WEIGHT

SHEET 2/3



SECTION B-B
SCALE 1: 1.25

DIMENSIONS ARE IN INCHES

TWO PLACED DECIMAL ±.01
THREE PLACED DECIMAL ±.003
FOUR PLACED DECIMAL ±.0006

DCC

Danville Community College

Advanced Manufacturing Programs

APPROVED

CHECKED

DRAWN Brionna Ashworth 2/5/2018

PROJECT

IMT 17-18

TITLE

Turbine with Blade Slots

SIZE

A

CODE

DWG NO

REV

SCALE 1: 1.25

WEIGHT

SHEET 3/3