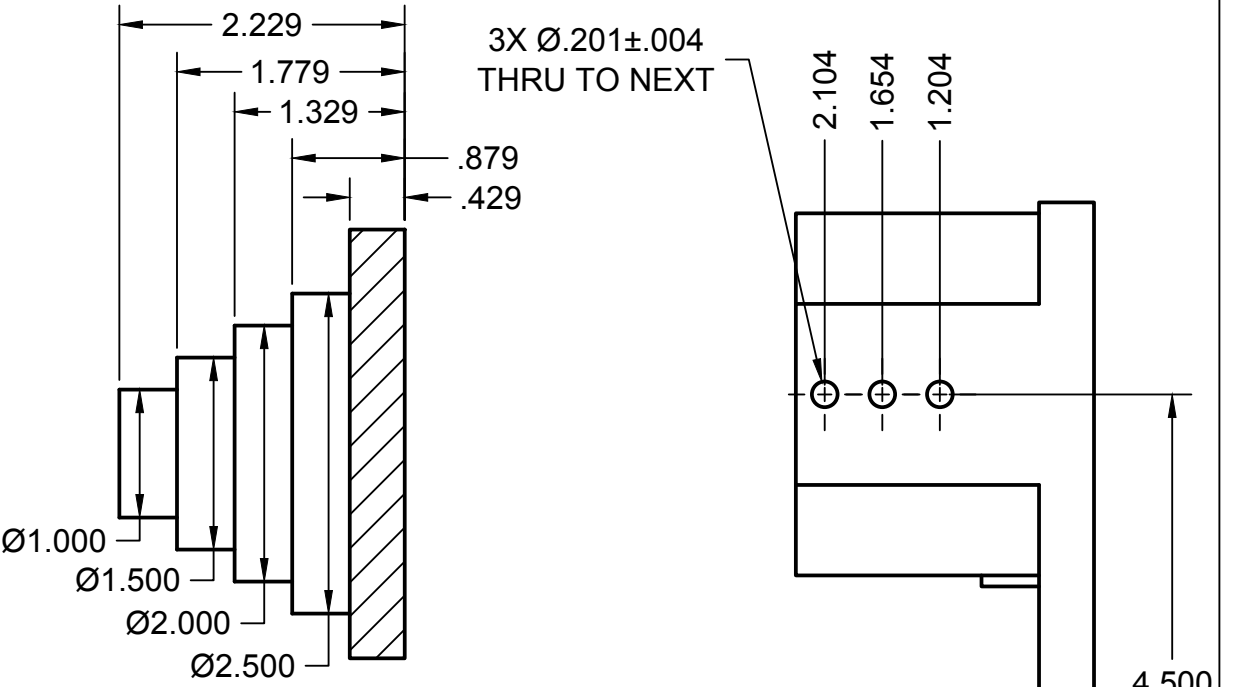
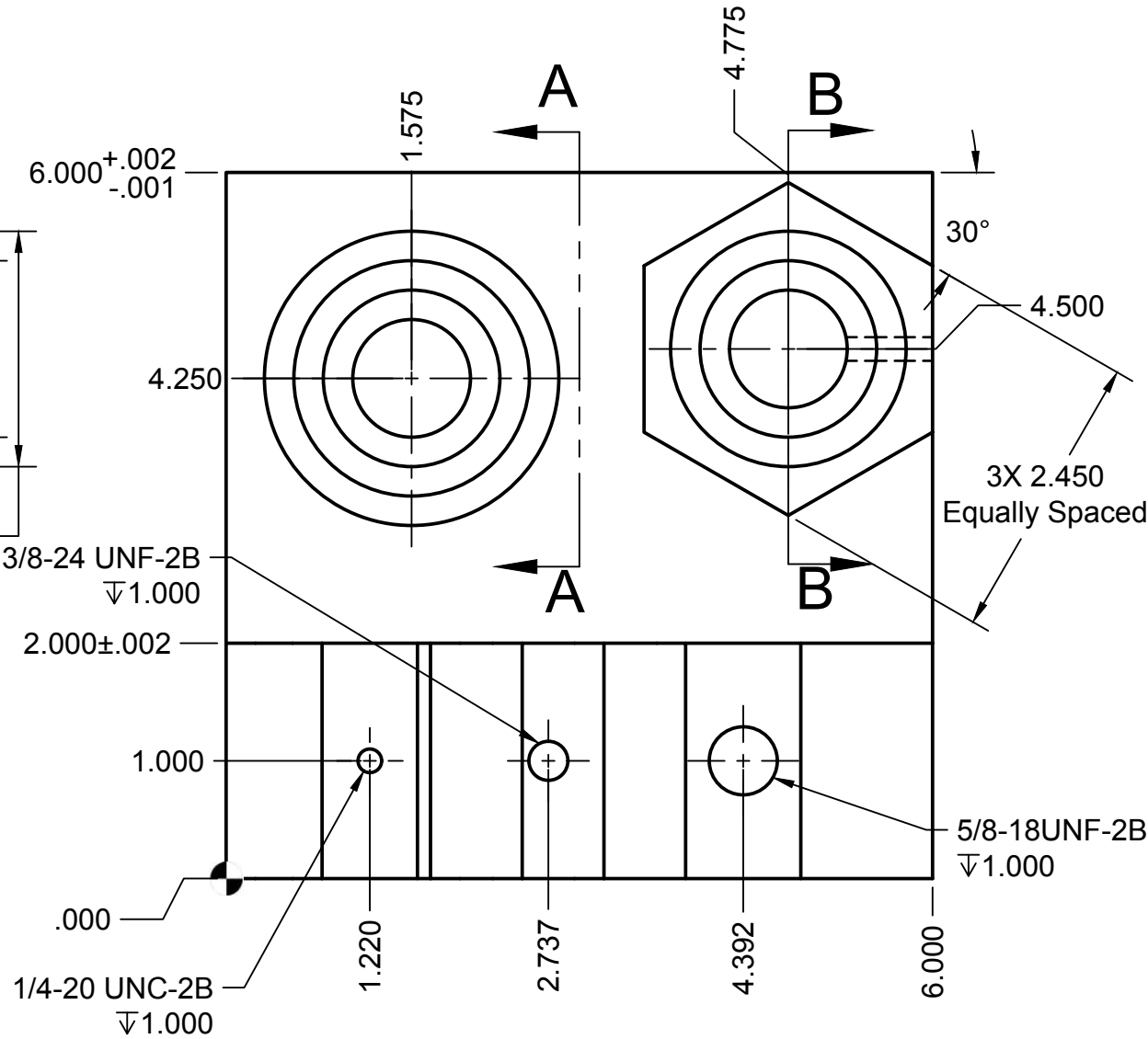
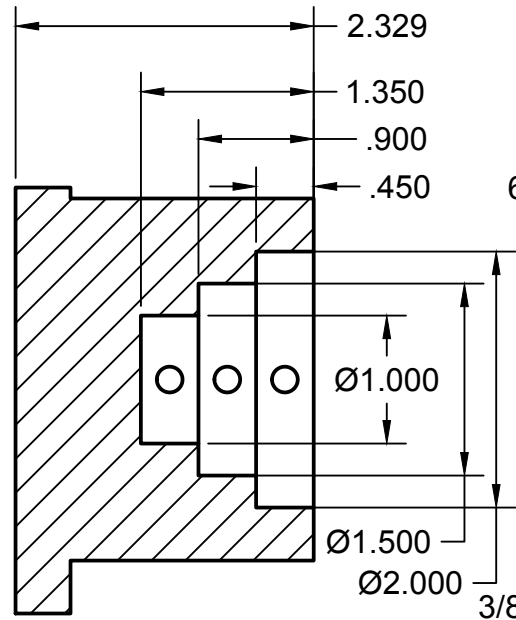
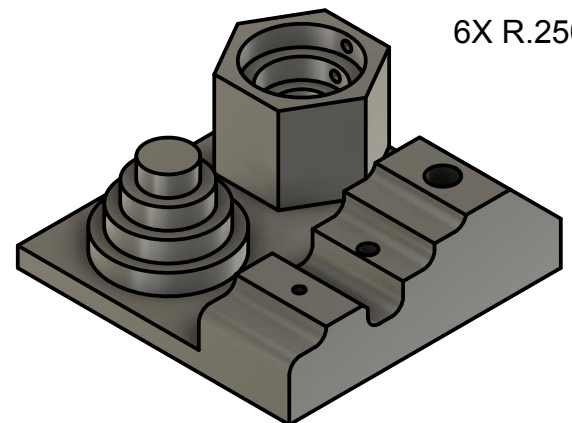
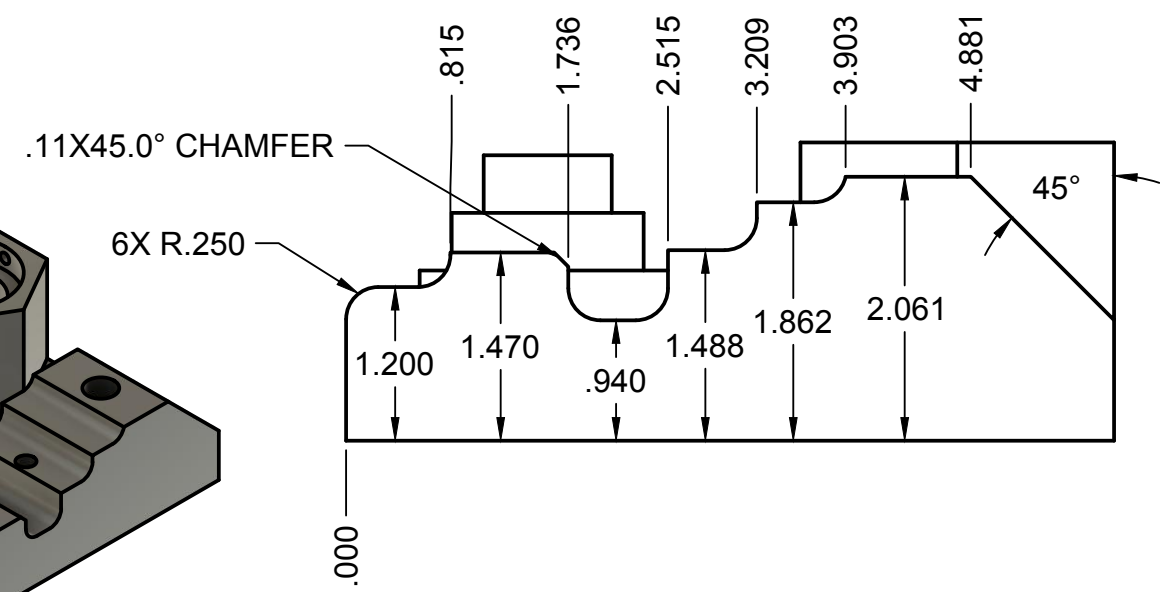


**SECTION B-B
SCALE 1:1.5**



**SECTION A-A
SCALE 1:1.5**



		PROJECT CMM Training		
		TITLE B&W Inspection Training		
APPROVED	SIZE B	CODE	DWG NO	REV
CHECKED				
DRAWN Dylan Hardy	4/20/2018	SCALE 1:1.5	WEIGHT	SHEET 1/1