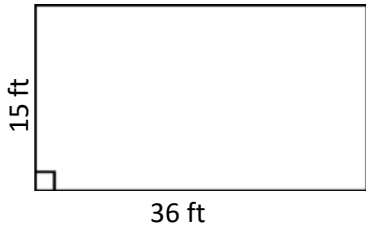


Name: _____

MATH 1500: Quiz 8.1-8.2

Calculate the area and perimeter of each of the figures. Please label your answers.

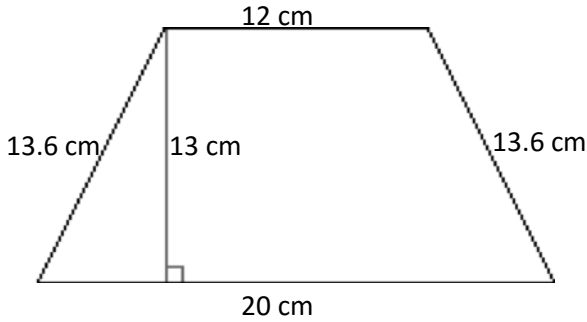
1.



Perimeter: _____

Area: _____

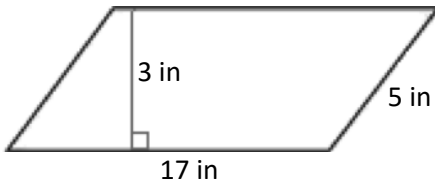
2.



Perimeter: _____

Area: _____

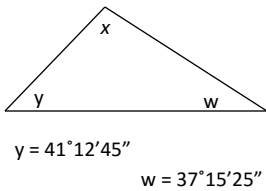
3.



Perimeter: _____

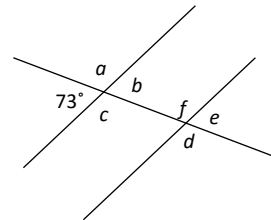
Area: _____

4. Find the measure of the indicated angle.



x = _____

5. Find the measures of the indicated angles.
(Two parallel lines are cut by a transversal.)



a = _____ b = _____ c = _____

d = _____ e = _____ f = _____