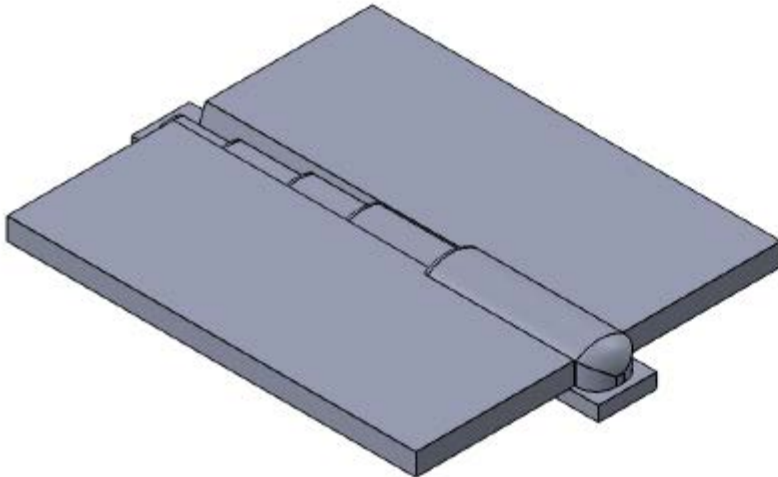
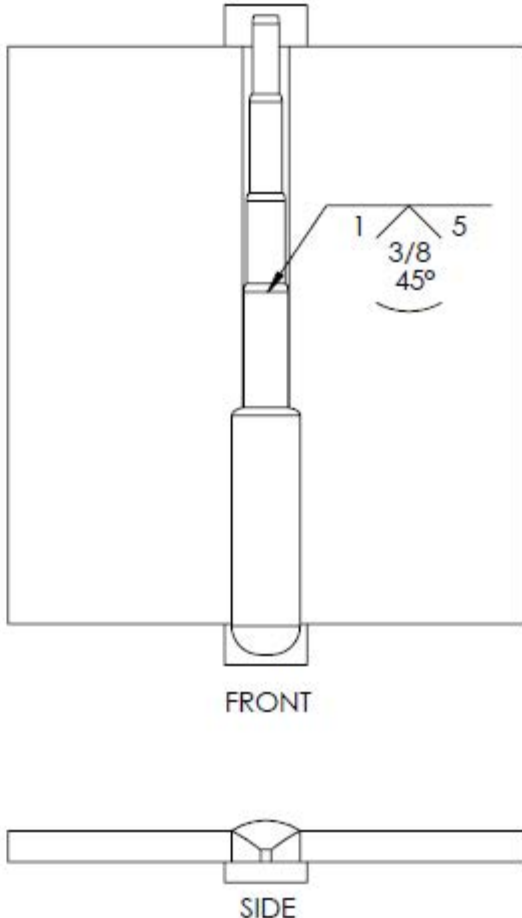


2
1





FRONT

SIDE

A
A

PROCESS:	FCAW
ELECTRODE CLASSIFICATION:	E71T-1
ELECTRODE SIZE:	1/16"
POSITION:	4G
WELD SIZE/ # OF BEADS:	1/8" max reinforcement
AMPERAGE/WFS:	150-350
VOLTAGE:	23-36

ROOT FACE:	
ROOT OPENING:	3/8"

TITLE:

V-Groove

DIMENSIONS ARE IN INCHES
TOLERANCES:
FRACTIONAL: ±
ANGULAR: MACH ± BEND ±
TWO PLACE DECIMAL ±
THREE PLACE DECIMAL ±

SIZE	DWG. NO.	REV
A		
SCALE: 1:4		SHEET 1 OF 1

2
1

