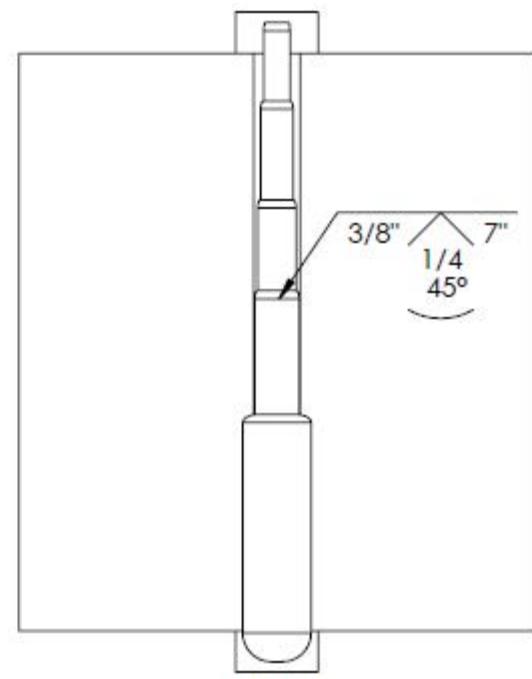
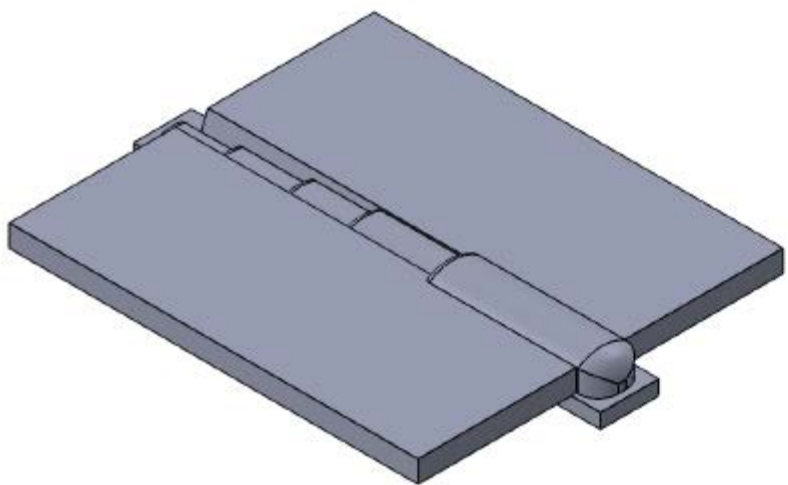


2

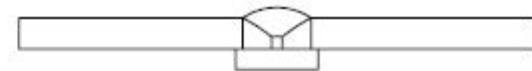
1

B

B



FRONT



SIDE

A

A

PROCESS:	GMAW
ELECTRODE CLASSIFICATION:	E70S-6
ELECTRODE SIZE:	.035"
POSITION:	3G
WELD SIZE/ # OF BEADS:	1/8" max reinforcement
AMPERAGE/WFS:	100-250
VOLTAGE:	18-22

ROOT FACE:	
ROOT OPENING:	1/4"

DIMENSIONS ARE IN INCHES  
TOLERANCES:  
FRACTIONAL: ±  
ANGULAR: MACH ± BEND ±  
TWO PLACE DECIMAL ±  
THREE PLACE DECIMAL ±

TITLE: <b>V-Groove</b>		
SIZE <b>A</b>	DWG. NO.	REV
SCALE: 1:4	SHEET 1 OF 1	

2

1

