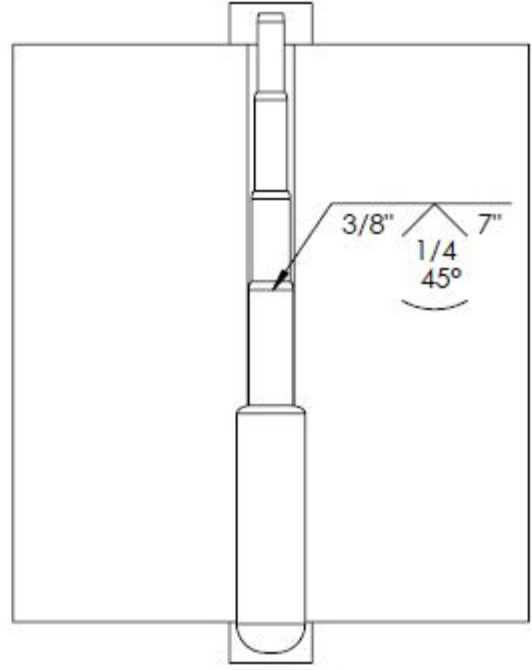
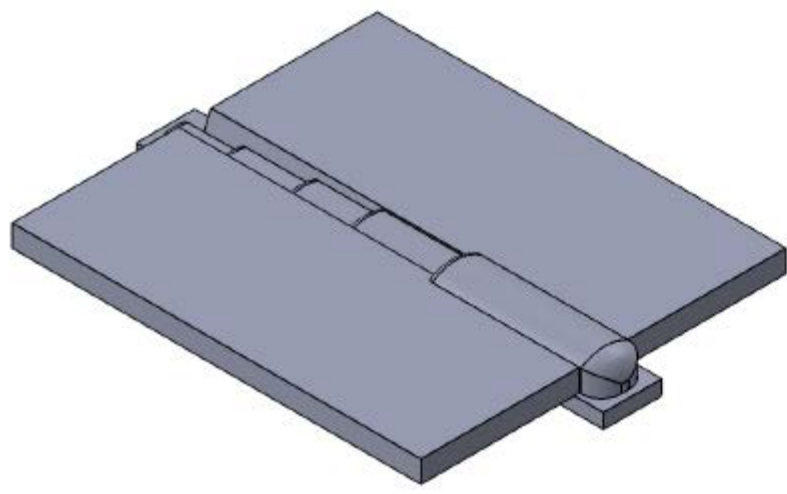


2

1

B

B



FRONT



SIDE

A

A

PROCESS:	SMAW
ELECTRODE CLASSIFICATION:	E7018
ELECTRODE SIZE:	3/32" or 1/8"
POSITION:	3G
WELD SIZE/ # OF BEADS:	1/8" max reinforcement
AMPERAGE/WFS:	3/32 70-110 1/8 90-160
VOLTAGE:	N/A

ROOT FACE:	
ROOT OPENING:	1/4"

TITLE: V-Groove		
SIZE	DWG. NO.	REV

DIMENSIONS ARE IN INCHES
TOLERANCES:
FRACTIONAL: ±
ANGULAR: MACH ± BEND ±
TWO PLACE DECIMAL: ±
THREE PLACE DECIMAL: ±

A		
SCALE: 1:4		SHEET 1 OF 1

2

1

