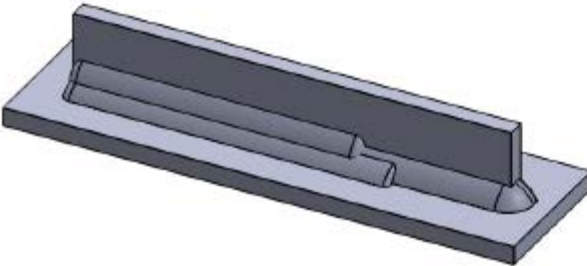



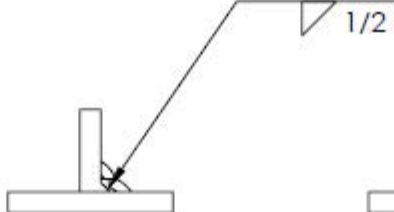
2
1



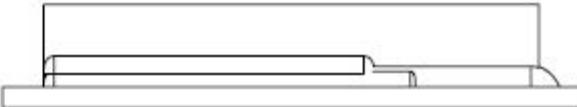


TOP

PROCESS:	FCAW
ELECTRODE CLASSIFICATION:	E71T-1
ELECTRODE SIZE:	1/16"
POSITION:	4F
WELD SIZE/ # OF BEADS:	6
AMPERAGE/WFS:	150-350
VOLTAGE:	23-36



SIDE



FRONT

2
1

TITLE: <h2 style="text-align: center; margin: 0;">T Joint</h2>		
SIZE <b>A</b>	DWG. NO.	REV
SCALE: 1:2	SHEET 1 OF 1	

DIMENSIONS ARE IN INCHES

TOLERANCES:

FRACTIONAL ±

ANGULAR: MACH ± BEND ±

TWO PLACE DECIMAL ±

THREE PLACE DECIMAL ±

