
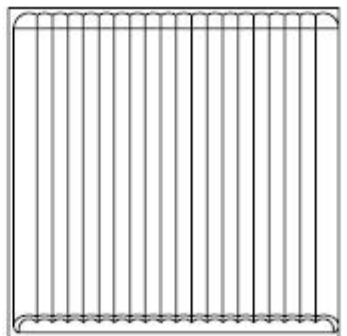
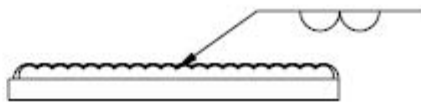


2	1														
															
<table border="1" style="width: 100%; border-collapse: collapse;"> <tr> <td style="width: 30%;">PROCESS:</td> <td>SMAW</td> </tr> <tr> <td>ELECTRODE CLASSIFICATION:</td> <td>E6010</td> </tr> <tr> <td>ELECTRODE SIZE:</td> <td>1/8"</td> </tr> <tr> <td>POSITION:</td> <td>1G</td> </tr> <tr> <td>WELD SIZE/ # OF BEADS:</td> <td>1.5-2x ROD DIA.</td> </tr> <tr> <td>AMPERAGE/WFS:</td> <td>75-135</td> </tr> <tr> <td>VOLTAGE:</td> <td>NA</td> </tr> </table>	PROCESS:	SMAW	ELECTRODE CLASSIFICATION:	E6010	ELECTRODE SIZE:	1/8"	POSITION:	1G	WELD SIZE/ # OF BEADS:	1.5-2x ROD DIA.	AMPERAGE/WFS:	75-135	VOLTAGE:	NA	
PROCESS:	SMAW														
ELECTRODE CLASSIFICATION:	E6010														
ELECTRODE SIZE:	1/8"														
POSITION:	1G														
WELD SIZE/ # OF BEADS:	1.5-2x ROD DIA.														
AMPERAGE/WFS:	75-135														
VOLTAGE:	NA														
<table border="1" style="width: 100%; border-collapse: collapse;"> <tr> <td colspan="3" style="text-align: center;">TITLE: <b>Surface Weld</b></td> </tr> <tr> <td style="width: 15%;">SIZE <b>A</b></td> <td style="width: 60%;">DWG. NO.</td> <td style="width: 25%;">REV</td> </tr> <tr> <td colspan="2">SCALE: 1:2</td> <td style="text-align: right;">SHEET 1 OF 1</td> </tr> </table>	TITLE: <b>Surface Weld</b>			SIZE <b>A</b>	DWG. NO.	REV	SCALE: 1:2		SHEET 1 OF 1	<p style="font-size: small;">DIMENSIONS ARE IN INCHES TOLERANCES: FRACTIONAL: ± ANGULAR: MACH ±    BEND ± TWO PLACE DECIMAL ± THREE PLACE DECIMAL ±</p>					
TITLE: <b>Surface Weld</b>															
SIZE <b>A</b>	DWG. NO.	REV													
SCALE: 1:2		SHEET 1 OF 1													
2	1														

