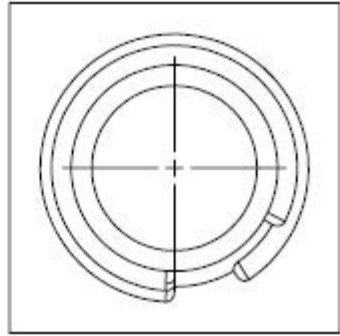
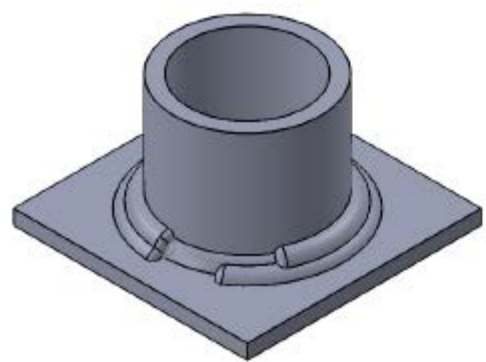


2

1

B

B

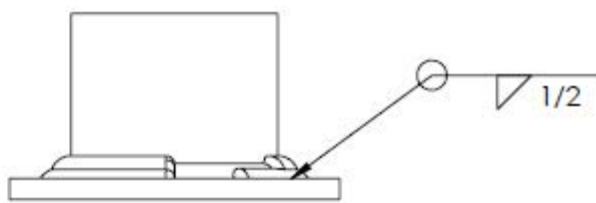


A

A

PROCESS:	FCAW
ELECTRODE CLASSIFICATION:	E71T-1
ELECTRODE SIZE:	1/16"
POSITION:	2F
WELD SIZE/ # OF BEADS:	6
AMPERAGE/WFS:	150-350
VOLTAGE:	23-36

ROOT FACE:	
ROOT OPENING:	



TITLE: Pipe to Plate		
SIZE A	DWG. NO.	REV
SCALE: 1:2		SHEET 1 OF 1

DIMENSIONS ARE IN INCHES
TOLERANCES:
FRACTIONAL: ±
ANGULAR: MACH ± BEND ±
TWO PLACE DECIMAL ±
THREE PLACE DECIMAL ±

2

1

