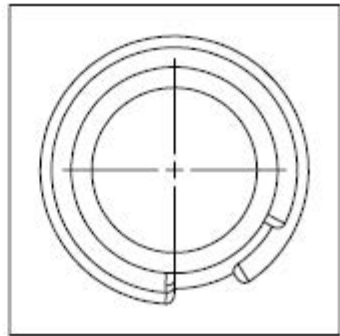
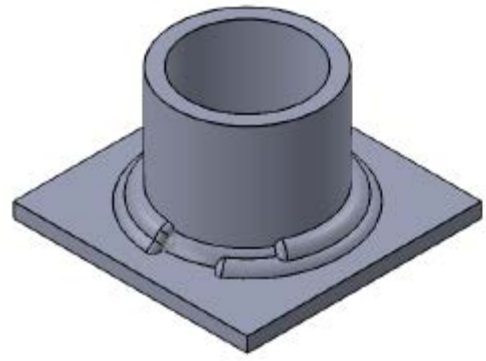


2

1

B

B

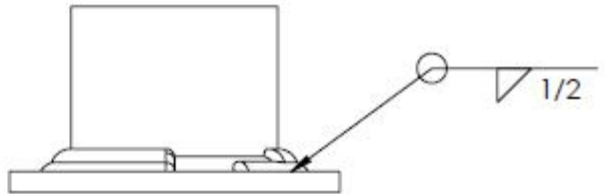


A

A

PROCESS:	SMAW
ELECTRODE CLASSIFICATION:	E6010
ELECTRODE SIZE:	1/8"
POSITION:	2F
WELD SIZE/ # OF BEADS:	6
AMPERAGE/WFS:	75-135
VOLTAGE:	N/A

ROOT FACE:	
ROOT OPENING:	



TITLE:  
**Pipe to Plate**

DIMENSIONS ARE IN INCHES  
TOLERANCES:  
FRACTIONAL: ±  
ANGULAR: MACH ± BEND ±  
TWO PLACE DECIMAL ±  
THREE PLACE DECIMAL ±

SIZE <b>A</b>	DWG. NO.	REV
SCALE: 1:2		SHEET 1 OF 1

2

1

